



STAINLESS-AD

# UNDER SHELF WORK TABLE

## TAB-WK



### characteristics

material	s. steel
type	304
gauge	18 (1.2 mm)
finish	p3

### measures

length	48.0" ( 122 cm)
width	27.6" ( 70.0 cm)
height	35.4" ( 90.0 cm)

### assembly

ready to assemble with  
legs and shelf

### features

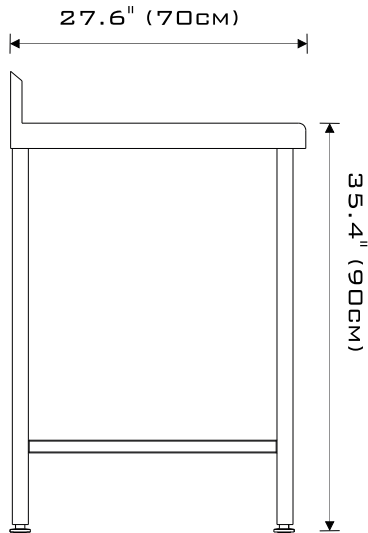
.seamless welded

[www.stainlessad.com](http://www.stainlessad.com)

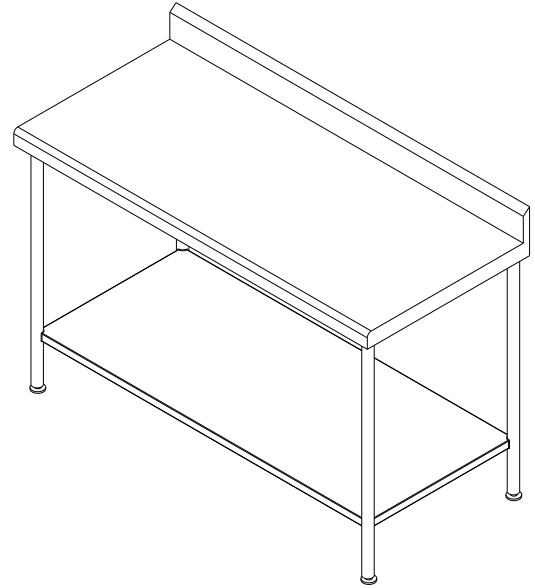
4673 Osborne Dr,  
El Paso TX, EUA  
(915) 330-0092,  
(915) 330-0093

## VIEWS

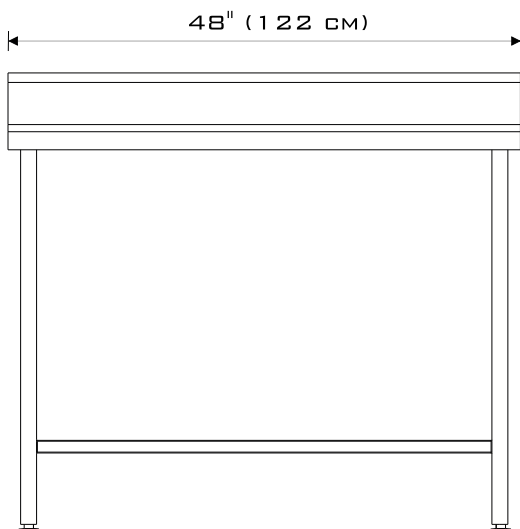
### SIDE VIEW



### PERSPECTIVE



### FRONT VIEW



### TOP VIEW

