



STAINLESS-AD COLLECTIVE URINAL TU4



characteristics

material s. steel
type 304
gauge 20 (0.9 mm)
finish 2b

mounting system

02 built in backup levelers
02 2" x 3/8" Ø plastic anchors
02 2" x 1/4" Ø screws

measures

length: 78.7" (200.0 cm)
width 12.8" (32.5 cm)
height 13.8" (35.0 cm)

features

.seamless welded
.vandal resistant
.to be used in schools,
clinics, hospitals, etc.

www.stainlessad.com

4673 Osborne Dr,
El Paso TX, EUA
(915) 330-0092,
(915) 330-0093



STAINLESS-AD COLLECTIVE URINAL TU4



characteristics

material s. steel
type 304
gauge 20 (0.9 mm)
finish 2b

measures

length: 78.7" (200.0 cm)
width 12.8" (32.5 cm)
height 13.8" (35.0 cm)

mounting system

02 built in backup levelers
02 2" x 3/8" Ø plastic anchors
02 2" x 1/4 Ø screws

features

.seamless welded
.vandal resistant
.to be used in schools,
clinics, hospitals, etc.

www.stainlessad.com

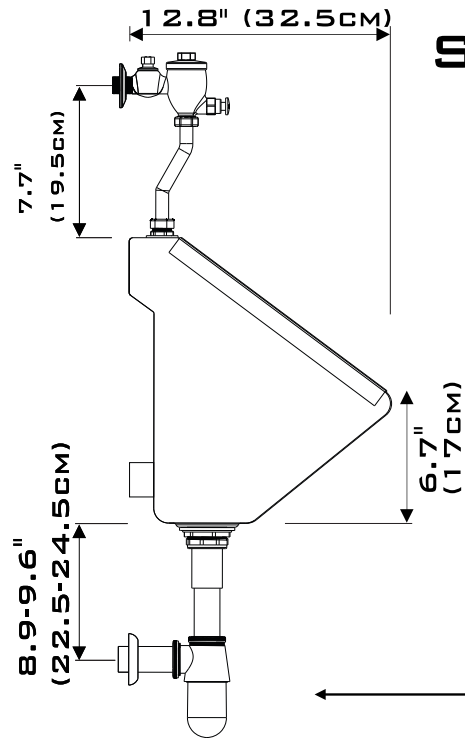
4673 Osborne Dr,
El Paso TX, EUA
(915) 330-0093,
(915) 330-0093



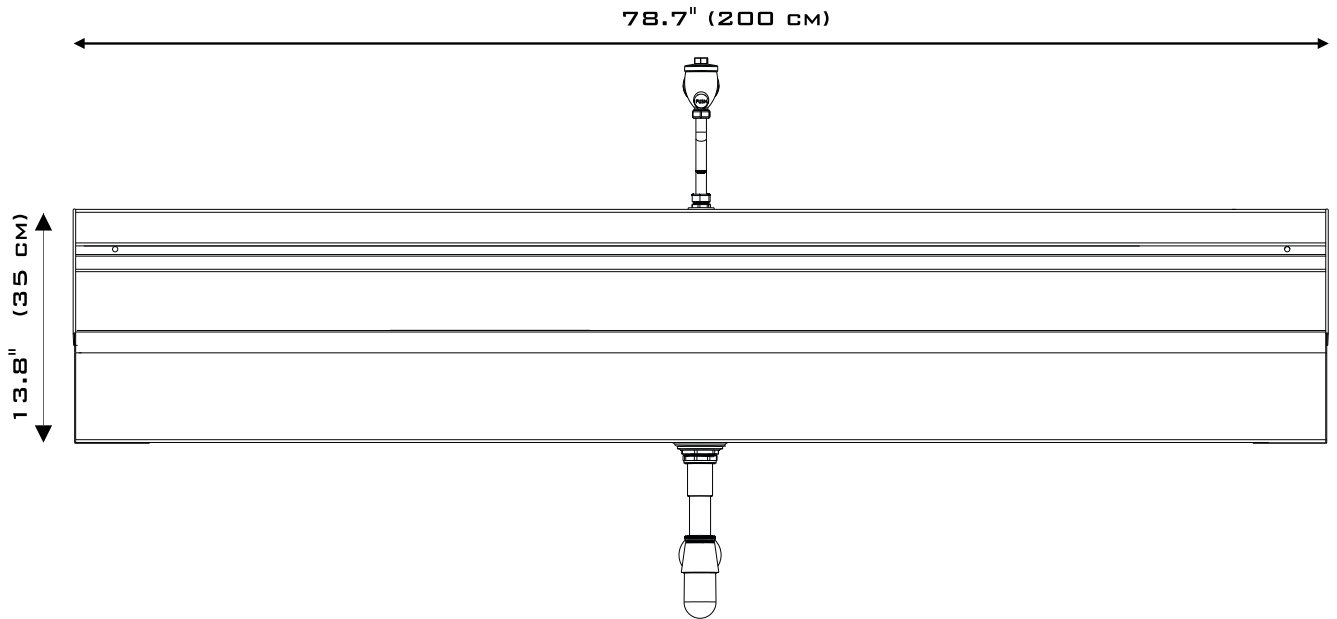
STAINLESS-AD COLLECTIVE URINAL TU4

VIEWS

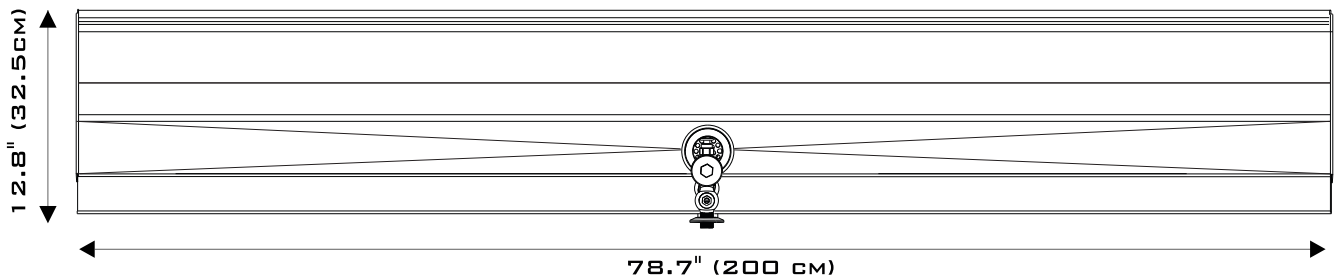
SIDE VIEW



FRONT VIEW



TOP VIEW



www.stainlessad.com

4673 Osborne Dr,
El Paso TX, EUA
(915) 330-0093,
(915) 330-0093



STAINLESS-AD COLLECTIVE URINAL TU4

INCLUDED ACCESSORIES

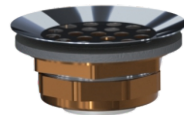
TIME DELAY FLUSH VALVE

- SELF CLOSING BUTTOM
- BRASS CHROME PLATED
- WALL 1/2" THREADED PIPED INTAKE NEEDED
- WATER PRESSURE NEEDED, 9-24 PSI



URINAL STRAINER

- CONVENIENT URINAL STRAINER
- DRILLED CAP TO AVOID OBSTRUCTION
- BRASS SLIP AND LOCK NUTS



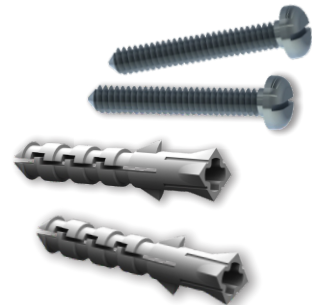
P-TRAP

- BRASS CHROME PLATED P-TRAP, WITH SS STRAINER CONECTION.



SCREWS AND WALL ANCHORS

- 2, 2" x 3/8" Ø PLASTIC WALL ANCHORS
- 2, 2" x 1/4" Ø SCREWS



www.stainlessad.com

4673 Osborne Dr,
El Paso TX, EUA
(915) 330-0093,
(915) 330-0093

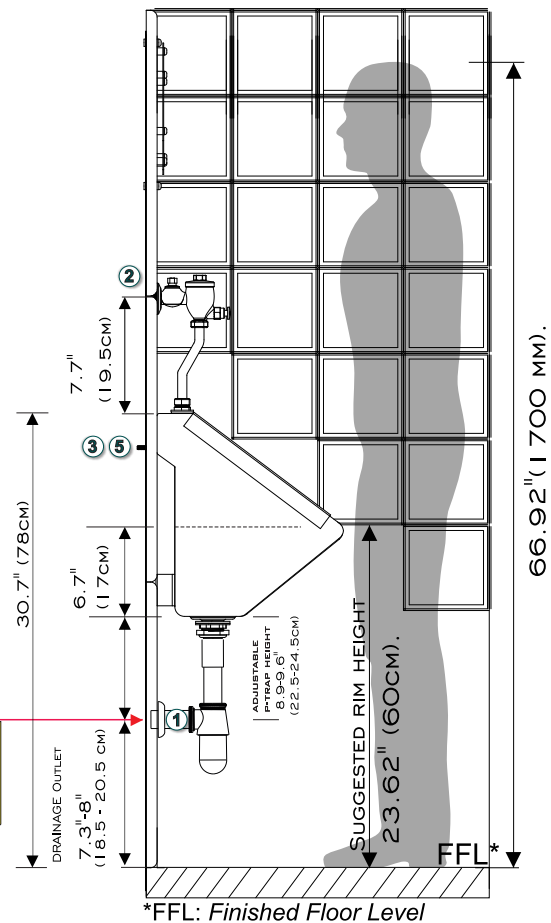


STAINLESS-AD COLLECTIVE URINAL TU4

INSTALLATION GUIDANCE

- 1 PREPARE THE ADECUATED DRAINAGE 2" OUTLET.
- 2 MAKE SURE WATER PRESSURE IS 9 TO 24 PSI.
- 3 USING AN SPIRIT LEVEL, AND ACCORDING TO THE DESIRED URINAL RIM HEIGHT, HOLD THE URINAL AGAINST THE WALL IN THE FINAL POSITION AND DRAW THE WALL WITH A PENCIL TRHROUGH THE HANG DRILL HOLES.
- 4 IN ORDER TO PROPERLY URINAL WALL FLUSH FUNCTIONS, SPIRIT LEVEL IS NECESSARY; SINCE YOUR URINAL DOES NOT USE PIPE WATER DISTRIBUTOR BUT A TROUGH TO AVOID MINERAL OBSTRUCTION.
- 5 ONCE MARKED THE WALL HOLES TO DRILL, AND CONFIRMED THE P-TRAP FITS INTO THE WALL DRAINAGE, AS WELL AS THE TIME DELAY FLUSH VALVE DOES IT TOO INTO THE WALL INTAKE; DRILL THE MARKED HOLES IN THE WALL WITH A 3/8" \varnothing CONCRETE DRILL BIT, SET THE WALL ANCHORS, AND FINALLY, FIX THE URINAL WITH THE PROVIDED SCREWS.
- 6 IN THE CASE OF RECENTLY INSTALLED PIPES, GET SURE THERE IS NO DEBRIS IN THEM, SINCE THIS CAN PREVENT TIME DELAY FLUSH VALVE TO WORK RIGHTLY.
- 7 DO NOT POUR OTHER LIQUIDS THAN URINE OR WATER INTO THE URINAL, SUCH AS COFFE, PAINT, OIL, ETC; BY DOING SO THE STAINLESS STEEL'S APPERANCE MIGHT BE DAMAGED IN RESULT IF IT IS NOT PROPERLY WASHED, AND MAY DECREASE THE P-TRAP'S LIFE SERVICE.

PLEASE TAKE NOTICE OF THE DRAINAGE OUTLET HEIGHT, IT IS ADJUSTABLE FROM 7.3" TO 8" FROM THE FINISHED FLOOR LEVEL.



CLEANING AND MAINTENANCE

THE 304 STAINLESS STEEL-FEED GRADE TYPE, NEEDS LESS MAINTENANCE THAN OTHER METALS, ALTHOUGH REGULAR CLEANING WILL PREVENT IT TO FORMING TARTAR, AS WELL AS SALT AND MINERALS DEPOSITS LEFT BY WATER OR EVEN HARD WATER. THE FOLLOWING ARE INSTRUCTIONS IN ORDER TO KEEP YOUR URINAL APPERANCE AND FUNCTIONS PRESERVED.

1. ONLY USE WATER AND PLASTIC SCOURER TO CLEAN THE STAINLESS STEEL SURFACE, IF NEEDED, USE DISH SOAP, AND RINSE ANY RESIDUE.
2. DO NOT USE CHLORINE OR ANY PRODUCT WHICH INCLUDES IT, SINCE IT IS CORROSIVE TO METALS AND CAN DAMAGE THE STAINLESS STEEL SURFACE APPERANCE AND EVEN THE STRUCTURE.
3. DO NOT USE SHARPENED OBJECTS TO CLEAN THE STAINLESS STEEL SURFACE, SINCE THIS WILL BRING ABOUT SCRATCHES.
4. IF WATER DOES NOT WASH ENTERELY THE URINAL; IT'S NEEDED TO WASH IT WITH DISH WASHER SOAP AND A PLASTIC SCOURER, IF STAINLESS STEEL IS STAINED BY OIL OR GREASE IT WILL AVOID WATER FROM ENTERELY WASH THE URINAL, SINCE OIL OR GRASE ARE HYDROPHOBIC.

www.stainlessad.com

4673 Osborne Dr,
El Paso TX, EUA
(915) 330-0093,
(915) 330-0093