



STAINLESS-AD

WC-TANK



### characteristics

material	s. steel
type	304
gauge	18 (1.2 mm)
finish ext	p3
finish int	BA

### efficiency

w tank	6 Ltrs
s-trap	2 1/2"Ø
pression	10 psi (700g/cm <sup>2</sup> )

### measures

length	27.6" ( 70 cm)
width	14.7" ( 36 cm)
heigth	27.6" ( 70cm)

### features

- .seamless welded
- .vandal resistant
- .to be used in schools, clinics, hospitals, etc.

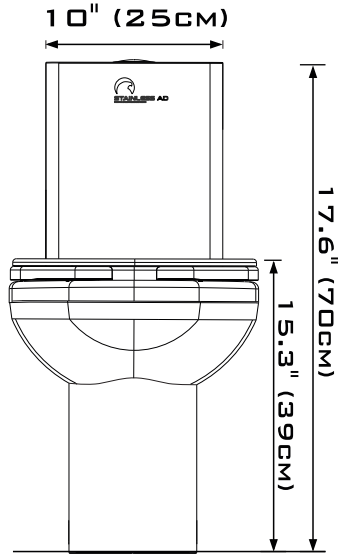
[www.stainlessad.com](http://www.stainlessad.com)

4673 Osborne Dr,  
El Paso TX, EUA  
(915) 330-0092,  
(915) 330-0093

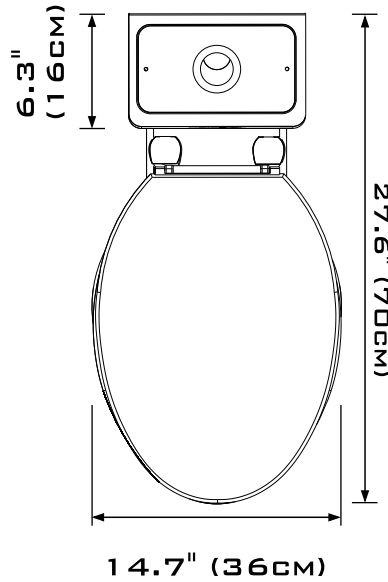


# VIEWS

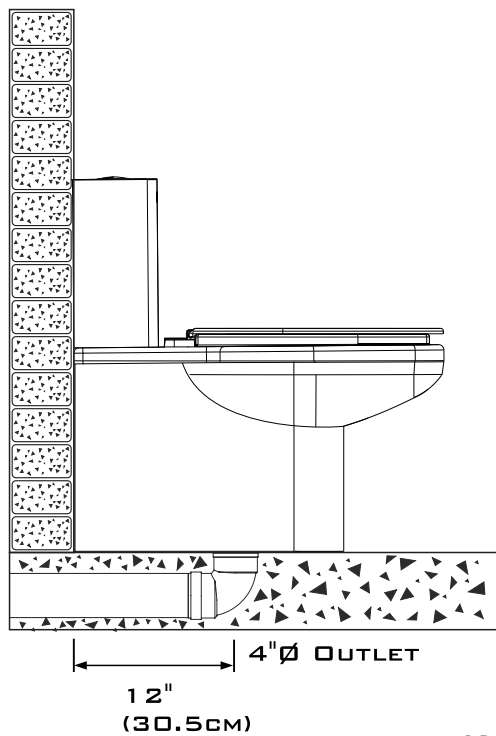
### FRONT VIEW



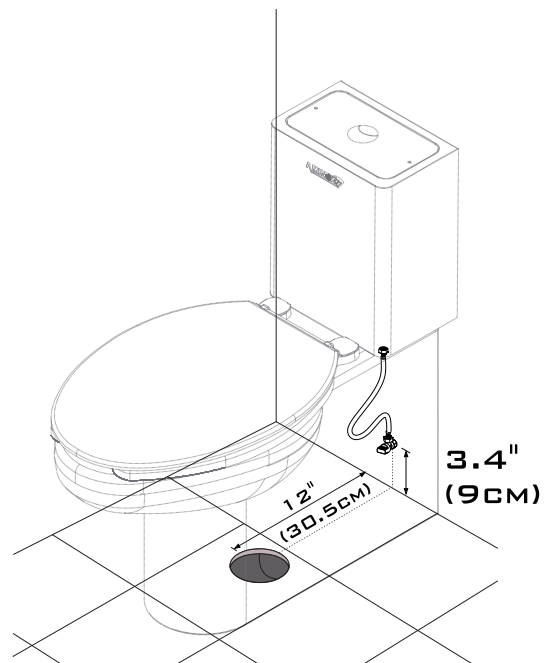
### TOP VIEW



### INSTALLATION DETAIL 1



### INSTALLATION DETAIL 2



[www.stainlessad.com](http://www.stainlessad.com)

4673 Osborne Dr,  
El Paso TX, EUA  
(915) 330-0093,  
(915) 330-0093