



STAINLESS-AD

LAVATORY WSNK 2



STAINLESS AMERICAN DESIGNS, INC.

### characteristics

material s. steel  
 type 304  
 gauge 20 (0.9 mm)  
 finish 2b

### measures

double station  
 length 47.2" ( 120 cm)  
 width 19.7" ( 50.0 cm)  
 height 16.1" ( 41.0 cm)

### mounting system

02 built in mounting brackets  
 04 2" x 3/8" Ø plastic anchors  
 04 2" x 1/4" Ø screws

### features

.seamless welded  
 .vandal resistant  
 .to be used in schools,  
 clinics, hospitals, etc.

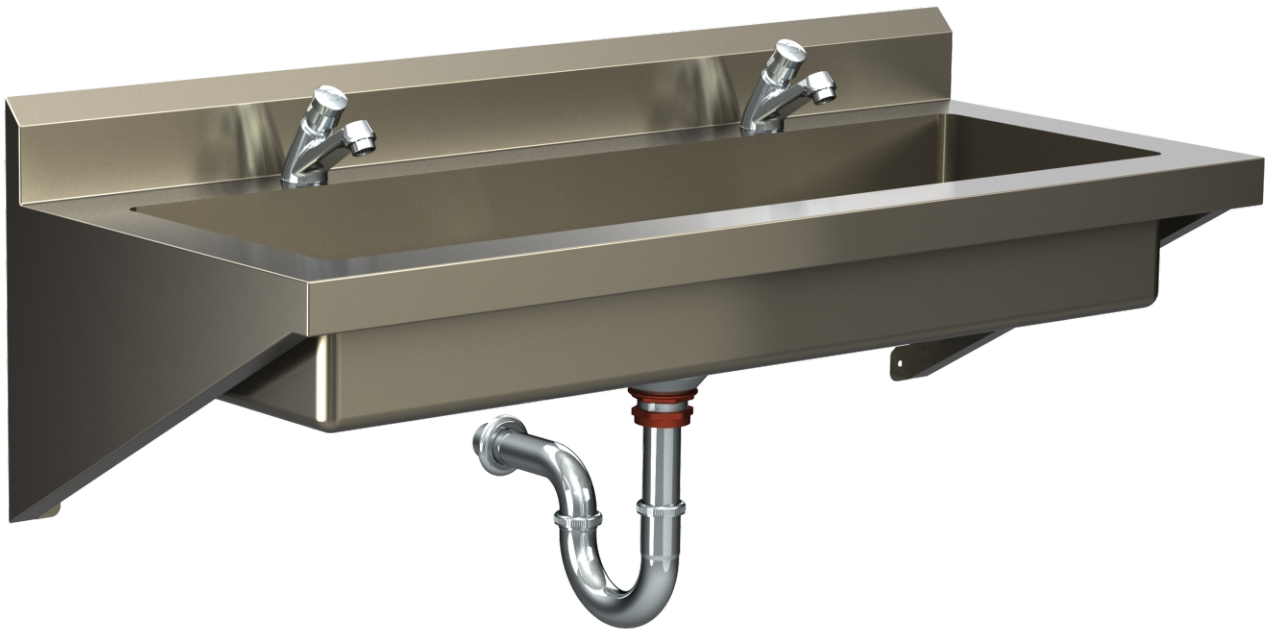
[www.stainlessad.com](http://www.stainlessad.com)

4673 Osborne Dr,  
 El Paso TX, EUA  
 (915) 330-0092,  
 (915) 330-0093



STAINLESS-AD

LAVATORY WSNK 2



### **characteristics**

material s. steel  
type 304  
gauge 20 (0.9 mm)  
finish 2b

### **measures**

double station  
length 47.2" ( 120 cm)  
width 19.7" ( 50 cm)  
height 16.1" ( 41 cm)

### **mounting system**

02 built in mounting brackets  
04 2" x 3/8" Ø plastic anchors  
04 2" x 1/4" Ø screws

### **features**

.seamless welded  
.vandal resistant  
.to be used in schools,  
clinics, hospitals, etc.

[www.stainlessad.com](http://www.stainlessad.com)

4673 Osborne Dr,  
El Paso TX, EUA  
(915) 330-0093,  
(915) 330-0093



## INCLUDED ACCESORIES

### WASTE STRAINER

- CONVENIENT URINAL STRAINER
- DRILLED CAP TO AVOID OBSTRUCTION
- BRASS SLIP AND LOCK NUTS



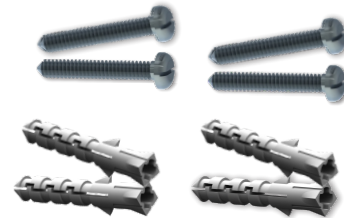
### P-TRAP

- BRASS CHROME PLATED P-TRAP, WITH SS STRAINER CONECTION.



### SCREWS AND WALL ANCHORS

- 4, 2" X 3/8" Ø PLASTIC WALL ANCHORS
- 4, 2" X 1/4 " Ø SCREWS

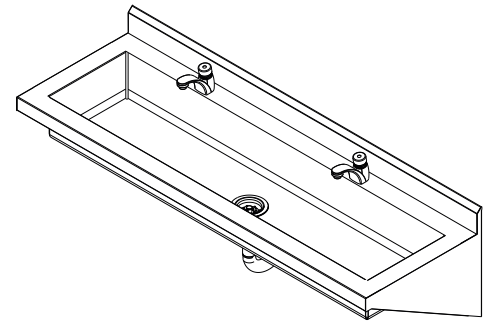


\* FAUCETS NOT INCLUDED  
\* FAUCET HOLES IS SINGLE HOLE  
PRE- DRILLED AT 1 1/4"Ø (32 MM).  
PLEASE TAKE NOTICE.

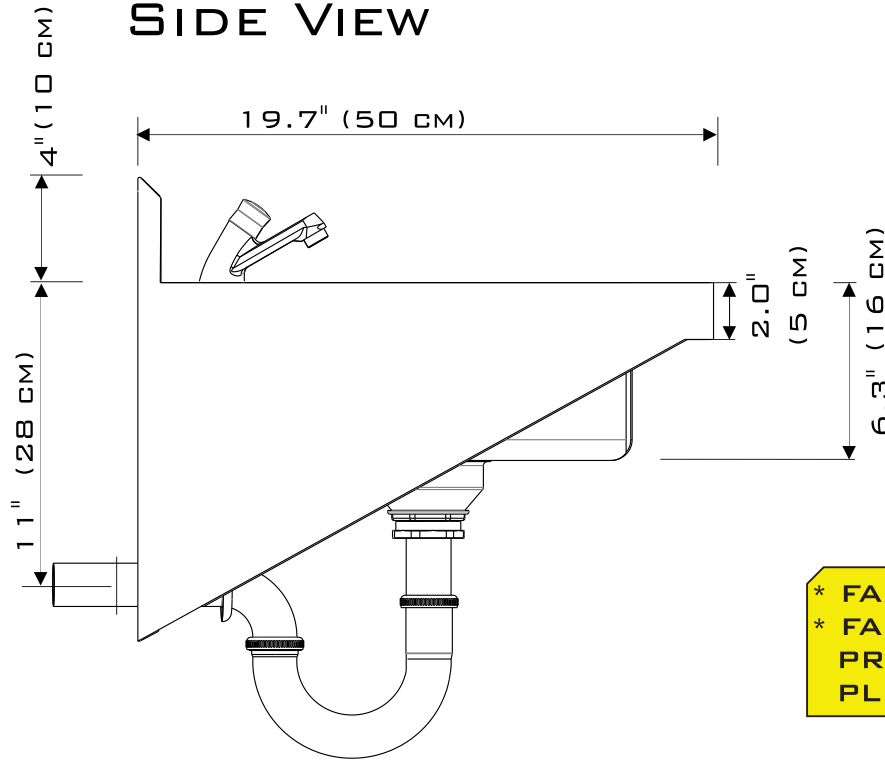


# VIEWS

## PERSPECTIVE VIEW

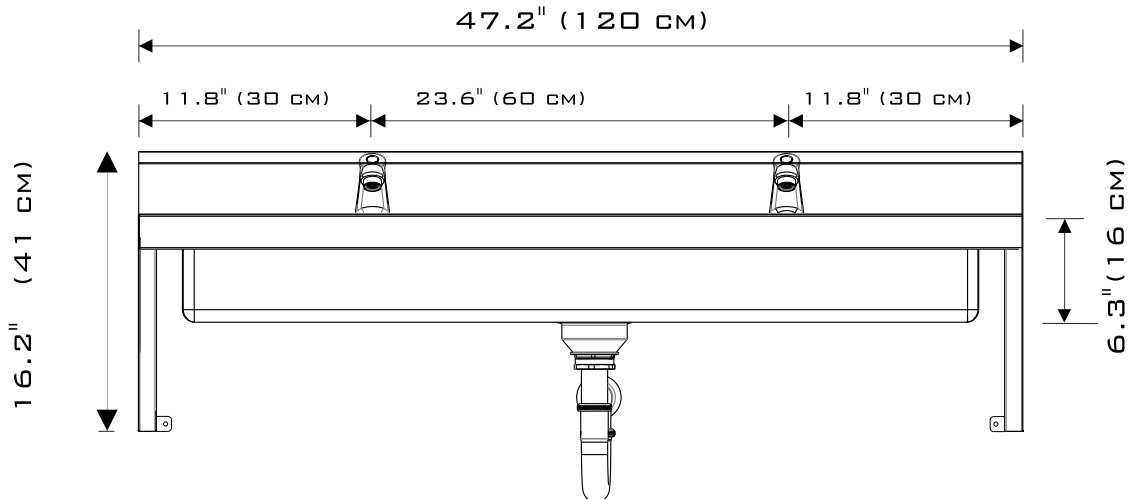


## SIDE VIEW



\* FAUCETS NOT INCLUDED  
\* FAUCET HOLES IS SINGLE HOLE PRE- DRILLED AT 1 1/4"Ø (32 MM). PLEASE TAKE NOTICE.

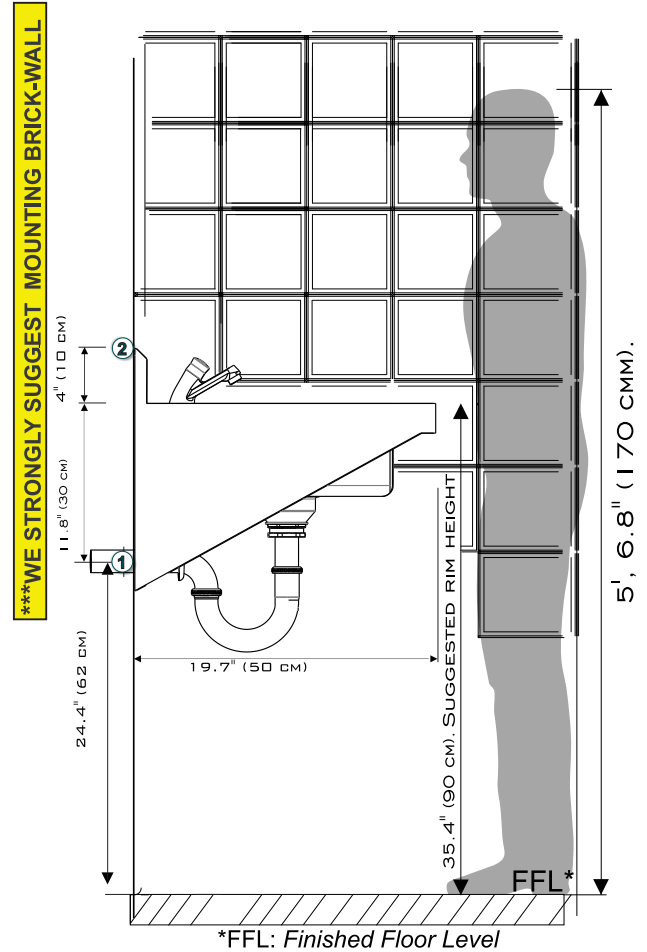
## FRONT VIEW





## INSTALLATION GUIDANCE

- ① PREPARE A 2" Ø DRAINAGE OUTLET AT 23.6" (60CM) HIGH FROM THE FINISHED FLOOR LEVEL.
- ② USING AN SPIRIT LEVEL, DRAW A LINE AT 39.4" (100 CM) HIGH FROM THE FINISHED FLOOR LEVEL, NEAR THE SIDES OF THE LAVATORY. THIS LINE WILL MATCH WITH THE UPPER BACK OF THE LAVATORY.
- ③ MEASURE THE DISTANCE BETWEEN THE BACK KEY HOLES AND HELPED WITH THE 39.4" (100 CM) DRAWN LINE, DRAW THE KEY HOLES DRILL POSITION IN THE WALL.
- ④ ONCE MARKED THE KEY HOLES IN THE WALL, DRILL THEM WITH A 3/8" CONCRETE DRILL BIT, AND FIX THEM AFTER THE PLASTIC ANCHORS; LET A 2 MM GAP BETWEEN THE WALL AND THE SCREW HEAD, TO FIT THE LAVATORY.
- ⑤ HANG ON THE LAVATORY.
- ⑥ AFTER THAT, AND CONFIRMED THE P-TRAP FITS INTO THE WALL DRAINAGE, DRAW THE LOWER DRILL HOLES.
- ⑦ DRILL THEM WITH A 3/8" CONCRETE DRILL BIT.
- ⑧ INSTALL FAUCETS, AND P-TRAP.



## CLEANING AND MAINTENANCE

THE 304 STAINLESS STEEL-FEED GRADE TYPE, NEEDS LESS MAINTENANCE THAN OTHER METALS, ALTHOUGH REGULAR CLEANING WILL PREVENT IT TO FORMING TARTAR, AS WELL AS SALT AND MINERALS DEPOSITS LEFT BY WATER OR EVEN HARD WATER. THE FOLLOWING ARE INSTRUCTIONS IN ORDER TO KEEP THE LAVATORY APPEARANCE AND FUNCTIONS PRESERVED.

1. ONLY USE WATER AND PLASTIC SCOURER TO CLEAN THE STAINLESS STEEL SURFACE, IF NEEDED, USE DISH SOAP, AND RINSE ANY RESIDUE.
2. DO NOT USE CHLORINE OR ANY PRODUCT WHICH INCLUDES IT, SINCE IT IS CORROSIVE TO METALS AND CAN DAMAGE THE STAINLESS STEEL SURFACE APPEARANCE AND EVEN THE STRUCTURE.
3. DO NOT USE SHARPENED OBJECTS TO CLEAN THE STAINLESS STEEL SURFACE, SINCE THIS WILL BRING ABOUT SCRATCHES.
- 4.- IF WATER DOES NOT WASH ENTERELY THE LAVATORY; IT'S NEEDED TO WASH IT WITH DISH WASHER SOAP AND A PLASTIC SCOURER, IF STAINLESS STEEL IS STAINED BY OIL OR GREASE IT WILL AVOID WATER FROM ENTERELY WASH THE URINAL, SINCE OIL OR GRASE ARE HYDROPHOBIC SUBSTANCES.