



STAINLESS-AD **ROUNDED URINAL RU-UR**

STAINLESS AMERICAN DESIGNS, INC.



characteristics

material s. steel
type 304
gauge 18 (1.2 mm)
finish 2B

mounting system

02 built in backup levelers
02 2" x 3/8" Ø plastic anchors
02 2" x 1/4" Ø screws

measures

diameter: 11.4" (29.0 cm)
width 12.6" (32.0 cm)
height 20.5" (52.0 cm)

features

.seamless welded
.vandal resistant
.to be used in schools,
clinics, hospitals, etc.

www.stainlessad.com

4673 Osborne Dr,
El Paso TX, EUA
(915) 330-0092,
(915) 330-0093



STAINLESS-AD

ROUNDED URINAL RU-UR



characteristics

material s. steel
type 304
gauge 20 (0.9 mm)
finish 2b

measures

diameter: 11.4" (29.0 cm)
width 12.6" (32.0 cm)
height 20.5" (52.0 cm)

mounting system

02 built in backup levelers
02 2" x 3/8" Ø plastic anchors
02 2" x 1/4 Ø screws

features

.seamless welded
.vandal resistant
.to be used in schools,
clinics, hospitals, etc.

www.stainlessad.com

4673 Osborne Dr,
El Paso TX, EUA
(915) 330-0093,
(915) 330-0093

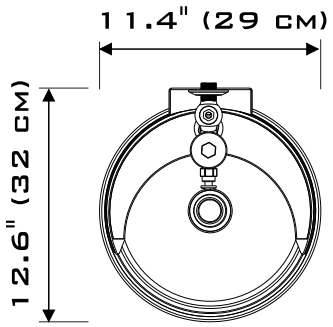


STAINLESS-AD

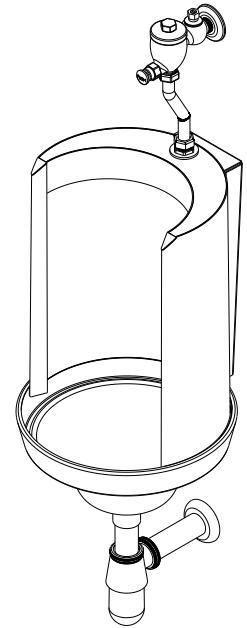
ROUNDED URINAL RU-UR

VIEWS

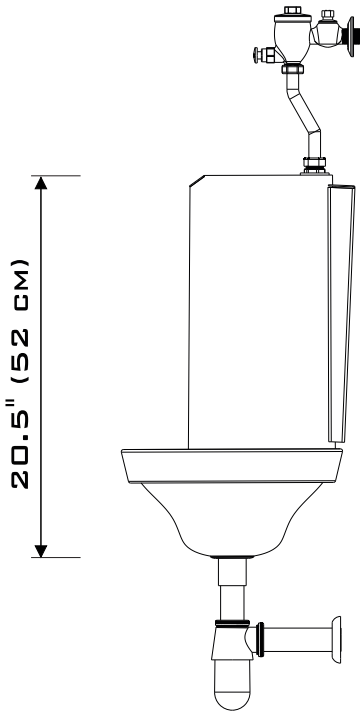
TOP VIEW



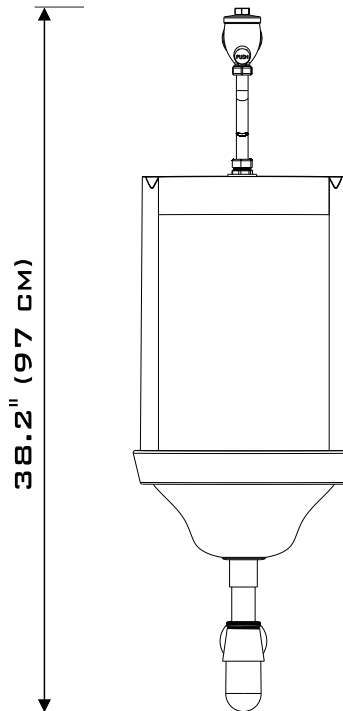
PERSPECTIVE



SIDE VIEW



FRONT VIEW



www.stainlessad.com

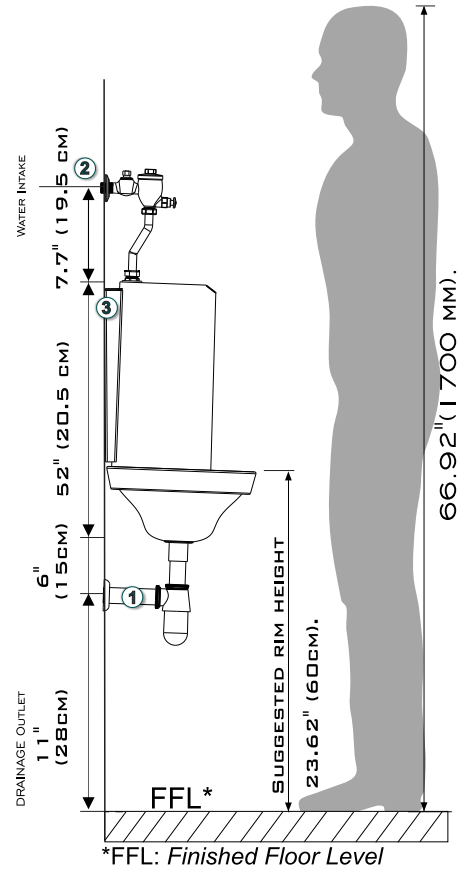
4673 Osborne Dr,
El Paso TX, EUA
(915) 330-0093,
(915) 330-0093



STAINLESS-AD ROUNDED URINAL RU-UR

INSTALLATION GUIDANCE

- ① PREPARE THE ADECUATED DRAINAGE 2" OUTLET.
- ② MAKE SURE WATER PRESSURE IS 9 TO 24 PSI.
- ③ HOLD THE URINAL AGAINST THE WALL IN THE FINAL POSITION AND DRAW THE WALL WITH A PENCIL, THEN COVER THE URINAL'S BACK KEY HOLES WITH A MASKING TAPE STRIP, MARK THE KEY HOLES, AND THEN PLACE THE MASKING TAPE STRIP INTO THE WALL TO TRANSFER THE KEY HOLES.
- ④ ONCE MARKED THE WALL HOLES TO DRILL, AND CONFIRMED THE P-TRAP FITS INTO THE WALL DRAINAGE, AS WELL AS THE TIME DELAY FLUSH VALVE DOES IT TOO INTO THE WATER INTAKE; DRILL THE MARKED HOLES IN THE WALL WITH A 3/8" \varnothing CONCRETE DRILL BIT, SET THE WALL ANCHORS, AND FINALLY, FIX THE URINAL WITH THE PROVIDED SCREWS.
- ⑤ IN THE CASE OF RECENTLY INSTALLED PIPES, GET SURE THERE IS NO DEBRIS IN THEM, SINCE THIS CAN PREVENT TIME DELAY FLUSH VALVE TO WORK RIGHTLY.
- ⑥ DO NOT POUR OTHER LIQUIDS THAN URINE OR WATER INTO THE URINAL, SUCH AS COFFE, PAINT, OIL, ETC; BY DOING SO THE STAINLESS STEEL'S APPERANCE MIGHT BE AFFECTED IN RESULT IF IT IS NOT PROPERLY WASHED, AND MAY DECREASE THE P-TRAP'S LIFE SERVICE.



CLEANING AND MAINTENANCE

THE 304 STAINLESS STEEL-FEED GRADE TYPE, NEEDS LESS MAINTENANCE THAN OTHER METALS, ALTHOUGH REGULAR CLEANING WILL PREVENT IT TO FORMING TARTAR, AS WELL AS SALT AND MINERALS DEPOSITS LEFT BY WATER OR EVEN HARD WATER. THE FOLLOWING ARE INSTRUCTIONS IN ORDER TO KEEP YOUR URINAL APPERANCE AND FUNCTIONS PRESERVED.

1. ONLY USE WATER AND PLASTIC SCOURER TO CLEAN THE STAINLESS STEEL SURFACE, IF NEEDED, USE DISH SOAP, AND RINSE ANY RESIDUE.
2. DO NOT USE CHLORINE OR ANY PRODUCT WHICH INCLUDES IT, SINCE IT IS CORROSIVE TO METALS AND CAN DAMAGE THE STAINLESS STEEL SURFACE APPERANCE AND EVEN THE STRUCTURE.
3. DO NOT USE SHARPENED OBJECTS TO CLEAN THE STAINLESS STEEL SURFACE, SINCE THIS WILL BRING ABOUT SCRATCHES.
- 4.- IF WATER DOES NOT WASH ENTERELY THE URINAL; IT'S NEEDED TO WASH IT WITH DISH WASHER SOAP AND A PLASTIC SCOURER, IF STAINLESS STEEL IS STAINED BY OIL OR GREASE IT WILL AVOID WATER FROM ENTERELY WASH THE URINAL, SINCE OIL OR GRASE ARE HYDROPHOBIC.

www.stainlessad.com

4673 Osborne Dr,
El Paso TX, EUA
(915) 330-0093,
(915) 330-0093