



STAINLESS-AD

LAVATORY NTH 4



STAINLESS AMERICAN DESIGNS, INC.

characteristics

material s. steel
 type 304
 gauge 16 (1.5 mm)
 finish brushed

mounting system

02 built in, side mounting brackets
 04 2" x 3/8" Ø plastic anchors
 04 2" x 1/4" Ø screws

measures

quadruple station
 length: 94.48" (240 cm)
 width 16.5" (42.0 cm)
 height 10.0" (25.0 cm)

features

.seamless welded
 .vandal resistant
 .to be used in schools,
 clinics, hospitals, etc.

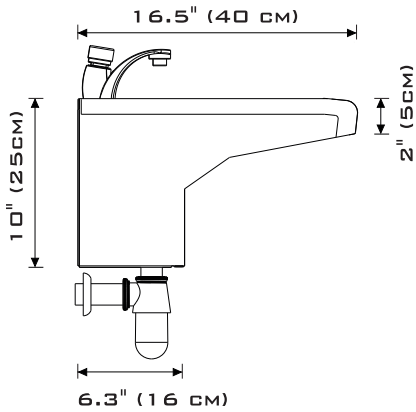
www.stainlessad.com

4673 Osborne Dr,
 El Paso TX, EUA
 (915) 330-0092,
 (915) 330-0093

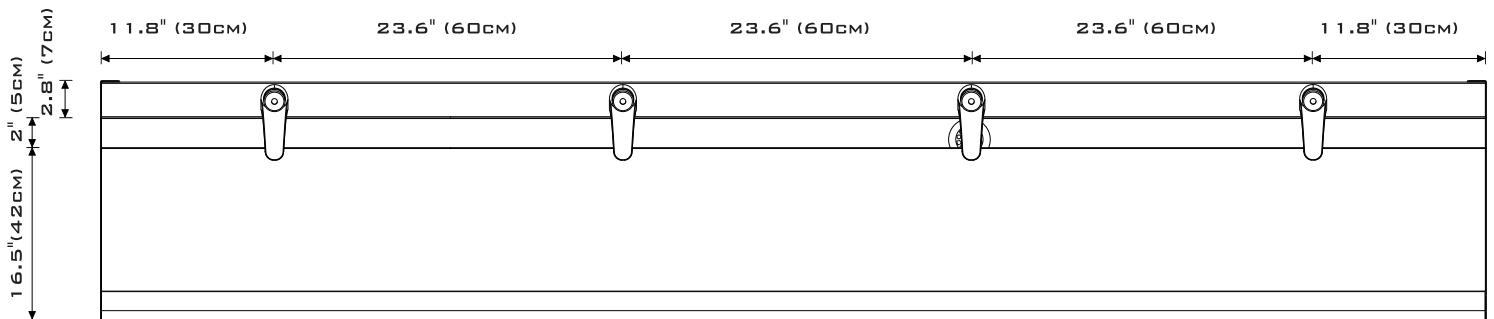


VIEWS

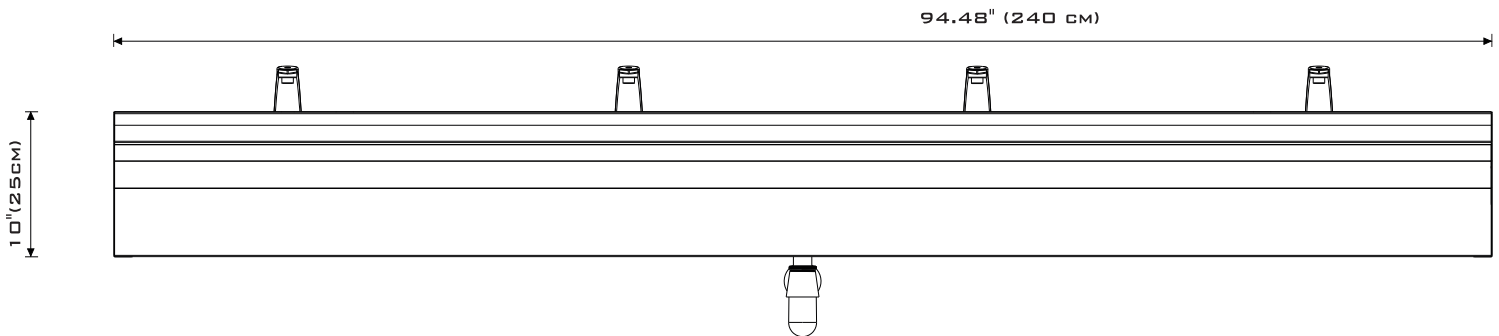
SIDE VIEW



TOP VIEW



FRONT VIEW

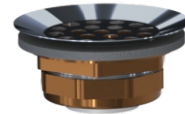




INCLUDED ACCESORIES

STRAINER

- CONVENIENT STRAINER
- DRILLED CAP TO AVOID OBSTRUCTION
- BRASS SLIP AND LOCK NUTS



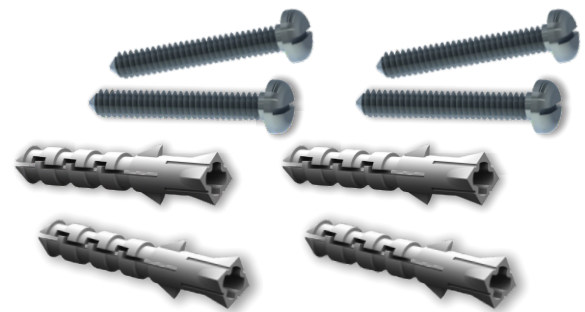
P-TRAP

- BRASS CHROME PLATED P-TRAP, WITH SS STRAINER CONECTION.



SCREWS AND WALL ANCHORS

- 4, 2" x 3/8" \varnothing PLASTIC WALL ANCHORS
- 4, 2" x 1/4 " \varnothing SCREWS



- * FAUCET NOT INCLUDED
- * FAUCET HOLE IS SINGLE HOLE PRE-DRILLED AT 1 1/4" \varnothing (32 MM).
- * AVAILABLE FAUCET SINK FLAT BASE: 2.8" (7 CM)
- * PLEASE TAKE NOTICE.



INSTALLATION GUIDANCE

- ① PREPARE A 2" Ø DRAINAGE OUTLET AT 20.0" (51 CM) HIGH FROM THE FINISHED FLOOR LEVEL.
- ② USING AN SPIRIT LEVEL, DRAW A LINE AT 35.4" (90 CM) HIGH FROM THE FINISHED FLOOR LEVEL, NEAR THE SIDES OF THE LAVATORY. THIS LINE WILL MATCH WITH THE UPPER BACK OF THE LAVATORY.
- ③ MEASURE THE DISTANCE BETWEEN THE BACK KEY HOLES AND HELPED WITH THE 35.4" (90 CM) DRAWN LINE, DRAW THE KEY HOLES DRILL POSITION IN THE WALL.
- ④ ONCE MARKED THE KEY HOLES IN THE WALL, DRILL THEM WITH A 3/8" CONCRETE DRILL BIT, AND FIX THEM AFTER THE PLASTIC ANCHORS; LET A 2 MM GAP BETWEEN THE WALL AND THE SCREW HEAD, TO FIT THE LAVATORY.
- ⑤ HANG ON THE LAVATORY.
- ⑥ AFTER THAT, AND CONFIRMED THE P-TRAP FITS INTO THE WALL DRAINAGE, DRAW THE LOWER DRILL HOLES.
- ⑦ DRILL THEM WITH A 3/8" CONCRETE DRILL BIT.
- ⑧ INSTALL FAUCETS, AND P-TRAP.

* FAUCET NOT INCLUDED
 * FAUCET HOLES ARE SINGLE HOLES PRE-DRILLED AT 1 1/4" Ø (32 MM).
 * AVAILABLE FAUCET SINK FLAT BASE: 2.8" (7 CM)
 * PLEASE TAKE NOTICE.
 * IF YOU NEED SPECIAL DRILL HOLES, OR SPECIAL LAVATORY SIZE; PLEASE LET US NOW, BEFORE PURCHASE.

CLEANING AND MAINTENANCE

THE 304 STAINLESS STEEL-FEED GRADE TYPE, NEEDS LESS MAINTENANCE THAN OTHER METALS, AND DOES NOT PRODUCE STAINS BY IT SELF OR BY THE SOLE WATER EXPOSURE, ALTHOUGH REGULAR CLEANING WILL PREVENT IT TO GET STAINED BY THE DIFFERENT CORROSIVE AGENTS, SUCH AS CHLORINE, SALT AND MINERALS DEPOSITS LEFT BY EVAPORATED WATER, ETC. THE FOLLOWING ARE INSTRUCTIONS IN ORDER TO KEEP YOUR STAINLESS STEEL LAVATORY APPEARANCE AND FUNCTIONS PRESERVED.

1. ONLY USE WATER AND PLASTIC SCOURER TO CLEAN THE STAINLESS STEEL SURFACE, IF NEEDED, USE DISH SOAP, AND RINSE ANY RESIDUE.
2. DO NOT USE CHLORINE OR ANY PRODUCT WHICH INCLUDES IT, SINCE IT IS CORROSIVE TO METALS AND CAN DAMAGE THE STAINLESS STEEL SURFACE APPEARANCE AND EVEN THE STRUCTURE. IF CHLORINE USE IS UNAVOIDABLE; PLEASE RINSE IT COMPLETELY, AND CLEAN ALSO THE EXTERNAL LAVATORY SURFACE. CHLORINE DROPS CAN STAIN OR EVEN CORRODE STAINLESS STEEL. AVOID CHLORINE TO LEAK IN THE LAVATORY BACK BY SEALING IT IN THE COUNTERTOP. A COMMON SITUATION IS TO SPLASH CHLORINE FROM THE FLOOR WHILE MOPPING, SO BE AWARE OF CLEANING ALL CHLORINE, IF MOPPING WITH IT.
3. DO NOT USE SHARPENED OBJECTS TO CLEAN THE STAINLESS STEEL SURFACE, SINCE THIS WILL BRING ABOUT SCRATCHES.
4. DESPITE STAINLESS STEEL NEEDS LESS MAINTENANCE THAN OTHER METALS, IF YOU CLEAN UP AND DRY IT COMPLETELY ONCE ON A DAILY BASIS, OR AT LEAST TWICE A WEEK; THE STAINLESS STEEL APPEARANCE WILL LAST FOR LONGER TIME.

***WE STRONGLY SUGGEST MOUNTING BRICK-WALL OR SIMILAR

