



STAINLESS-AD

LAVATORY RSNK-1-R



STAINLESS AMERICAN DESIGNS, INC.

characteristics

material	s. steel
type	304
gauge	16 (1.5 mm)
bowl finish	2b
countertop finish	p3

measures

single station	
length	23.6" (60.0 cm)
width	16.5" (42.0 cm)
height	7.5" (19.0 cm)

mounting system

02, 4" (10 cm) "z" SS 16 Gauge brackets	
12, 2" x 3/8" Ø plastic anchors	
12, 2" x 1/4" Ø screws	

features

- .seamless welded
- .vandal resistant
- .to be used in schools, clinics, hospitals, etc.

www.stainlessad.com

4673 Osborne Dr,
El Paso TX, EUA
(915) 330-0092,
(915) 330-0093



STAINLESS-AD

LAVATORY RSNK-1-R



characteristics

material s. steel
type 304
gauge 16 (1.5 mm)
bowl finish 2b
countertop finish p3

mounting system

02, 4" (10 cm) "z" SS 16 Gauge brackets
12, 2" x 3/8" Ø plastic anchors
12, 2" x 1/4" Ø screws

measures

single station
length 23.6" (60.0 cm)
width 16.5" (42.0 cm)
height 7.5" (19.0 cm)

features

.seamless welded
.vandal resistant
.to be used in schools,
clinics, hospitals, etc.

www.stainlessad.com

4673 Osborne Dr,
El Paso TX, EUA
(915) 330-0093,
(915) 330-0093



STAINLESS-AD

LAVATORY RSNK-1-R

INCLUDED ACCESSORIES

STRAINER

- CONVENIENT BOTON LEVELED STRAINER
- BRASS SLIP AND LOCK NUTS
- SILICONE GASKETS TO AVOID LEAKS

P-TRAP

- BRASS CHROME PLATED P-TRAP.

Z BRACKETS

- 2 "Z" STAINLESS STEEL
16 GA BRACKETS

SCREWS AND WALL ANCHORS

- 8, 2" X 3/8" \varnothing PLASTIC WALL ANCHORS
- 8, 2" X 1/4" \varnothing SCREWS



- * FAUCET NOT INCLUDED
- * FAUCET HOLE IS SINGLE HOLE 45°
ERGONOMIC HANDED.
1 1/4" \varnothing (32 MM) PRE-DRILLED.
- * PLEASE TAKE NOTICE.

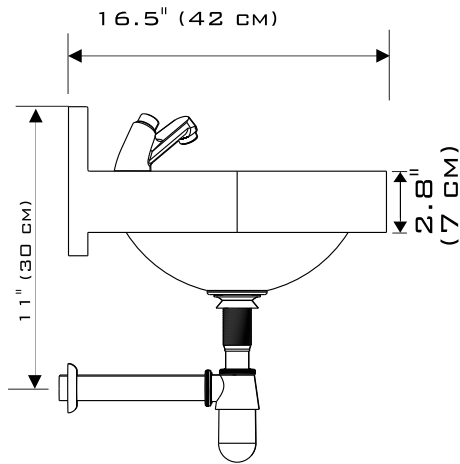
www.stainlessad.com

4673 Osborne Dr,
El Paso TX, EUA
(915) 330-0093,
(915) 330-0093

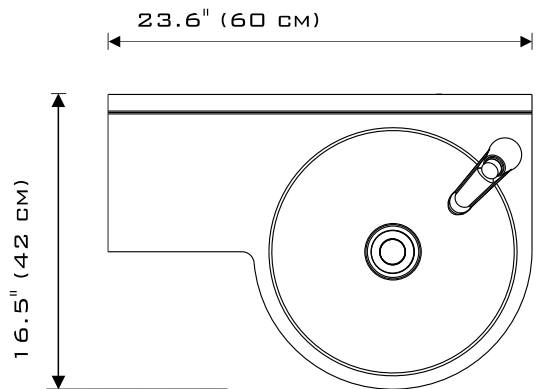


VIEWS

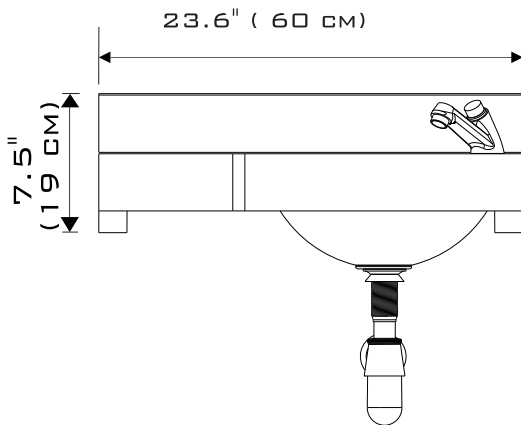
SIDE VIEW



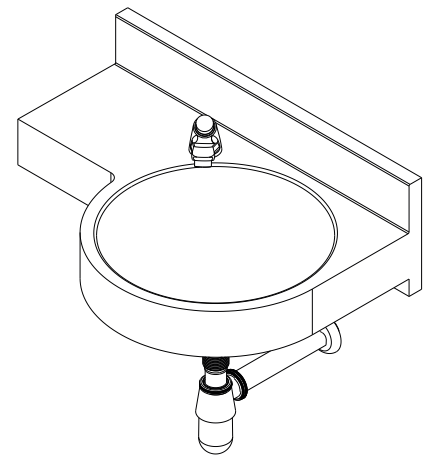
TOP VIEW



FRONT VIEW



PERSPECTIVE



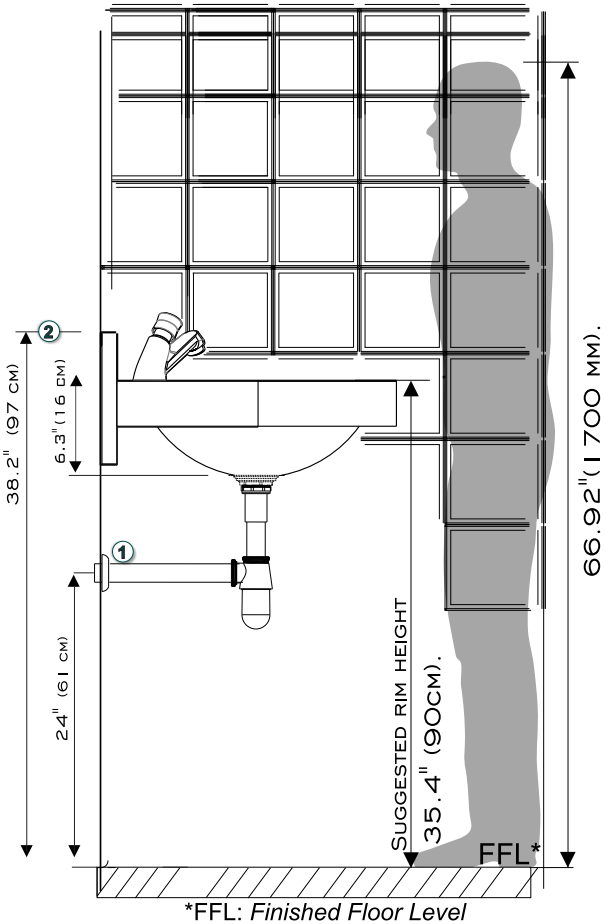
- * FAUCET NOT INCLUDED
- * FAUCET HOLE IS SINGLE HOLE 45° ERGONOMIC HANDED.
1 1/4" Ø (32 mm) PRE-DRILLED.
- * PLEASE TAKE NOTICE.



INSTALLATION GUIDANCE

- ① PREPARE A 2" Ø DRAINAGE OUTLET AT 24" (61 CM) HIGH FROM THE FINISHED FLOOR LEVEL.
- ② USING AN SPIRIT LEVEL, DRAW A LINE AT 38.2" (97 CM) HIGH FROM THE FINISHED FLOOR LEVEL, NEAR THE SIDES OF THE LAVATORY. THIS LINE WILL MATCH WITH THE UPPER BACK OF THE LAVATORY.
- ③ MEASURE THE DISTANCE BETWEEN THE BACK KEY HOLES AND HELPED WITH THE 38.2" (97 CM) DRAWN LINE, DRAW THE KEY HOLES DRILL POSITION IN THE WALL.
- ④ ONCE MARKED THE KEY HOLES IN THE WALL, DRILL THEM WITH A 3/8" CONCRETE DRILL BIT, AND FIX THEM AFTER THE PLASTIC ANCHORS; LET A 2 MM GAP BETWEEN THE WALL AND THE SCREW HEAD, TO FIT THE LAVATORY.
- ⑤ HANG ON THE LAVATORY.
- ⑥ AFTER THAT, AND CONFIRMED THE P-TRAP FITS INTO THE WALL DRAINAGE, DRAW THE LOWER DRILL HOLES. DRILL THEM WITH A 3/8" CONCRETE DRILL BIT.
- ⑦ INSTALL FAUCETS, AND P-TRAP.

***WE STRONGLY SUGGEST MOUNTING BRICK-WALL OR SIMILAR



CLEANING AND MAINTENANCE

THE 304 STAINLESS STEEL-FEED GRADE TYPE, NEEDS LESS MAINTENANCE THAN OTHER METALS, AND DOES NOT PRODUCE STAINS BY IT SELF OR BY THE SOLE WATER EXPOSURE, ALTHOUGH REGULAR CLEANING WILL PREVENT IT TO GET STAINED BY THE DIFFERENT CORROSIVE AGENTS, SUCH AS CHLORINE, SALT AND MINERALS DEPOSITS LEFT BY EVAPORATED WATER, ETC. THE FOLLOWING ARE INSTRUCTIONS IN ORDER TO KEEP YOUR STAINLESS STEEL SCRUB APPEARANCE AND FUNCTIONS PRESERVED.

1. ONLY USE WATER AND PLASTIC SCOURER TO CLEAN THE STAINLESS STEEL SURFACE, IF NEEDED, USE DISH SOAP, AND RINSE ANY RESIDUE.

2. DO NOT USE CHLORINE OR ANY PRODUCT WHICH INCLUDES IT, SINCE IT IS CORROSIVE TO METALS AND CAN DAMAGE THE STAINLESS STEEL SURFACE APPEARANCE AND EVEN THE STRUCTURE. IF CHLORINE USE IS UNAVOIDABLE; PLEASE RINSE IT COMPLETELY, AND CLEAN ALSO THE EXTERNAL LAVATORY SURFACE. CHLORINE DROPS CAN STAIN OR EVEN CORRODE STAINLESS STEEL. AVOID CHLORINE TO LEAK IN THE LAVATORY BACK BY SEALING IT IN THE COUNTERTOP. A COMMON SITUATION IS TO SPLASH CHLORINE FROM THE FLOOR WHILE MOPPING, SO BE AWARE OF CLEANING ALL CHLORINE, IF MOPPING WITH IT.

3. DO NOT USE SHARPENED OBJECTS TO CLEAN THE STAINLESS STEEL SURFACE, SINCE THIS WILL BRING ABOUT SCRATCHES.

4. DESPITE STAINLESS STEEL NEEDS LESS MAINTENANCE THAN OTHER METALS, IF YOU CLEAN UP AND DRY IT COMPLETELY ONCE ON A DAILY BASIS, OR AT LEAST TWICE A WEEK; THE STAINLESS STEEL APPEARANCE WILL LAST FOR LONGER TIME.