



STAINLESS-AD SURGEON SCRUB SCRUB-1



characteristics

material s. steel
type 304
gauge 16 (1.5 mm)
finish brushed

mounting system

02 ss 16 ga mounting brackets
08 2" x 3/8" Ø plastic anchors
08 2" x 1/4" Ø screws

measures

length:
single station 35" (90 cm)
width 22.4" (57.0 cm)
height 16.5" (42.0 cm)

features

.seamless welded
.vandal resistant
.to be used in schools,
clinics, hospitals, etc.

www.stainlessad.com

4673 Osborne Dr,
El Paso TX, EUA
(915) 330-0092,
(915) 330-0093



STAINLESS-AD SURGEON SCRUB SCRUB-1



characteristics

material s. steel
type 304
gauge 16 (1.5 mm)
finish brushed

measures

length: 35" (90 cm)
single station
width 22.4" (57.0 cm)
height 16.5" (42.0 cm)

mounting system

02 ss 16 ga mounting brackets
08 2" x 3/8" Ø plastic anchors
08 2" x 1/4" Ø screws

features

.seamless welded
.vandal resistant
.to be used in schools,
clinics, hospitals, etc.

www.stainlessad.com

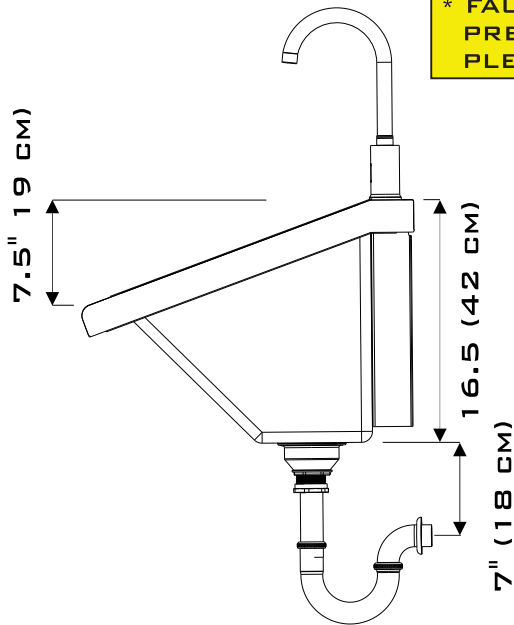
4673 Osborne Dr,
El Paso TX, EUA
(915) 330-0093,
(915) 330-0093



STAINLESS-AD SURGEON SCRUB SCRUB-1

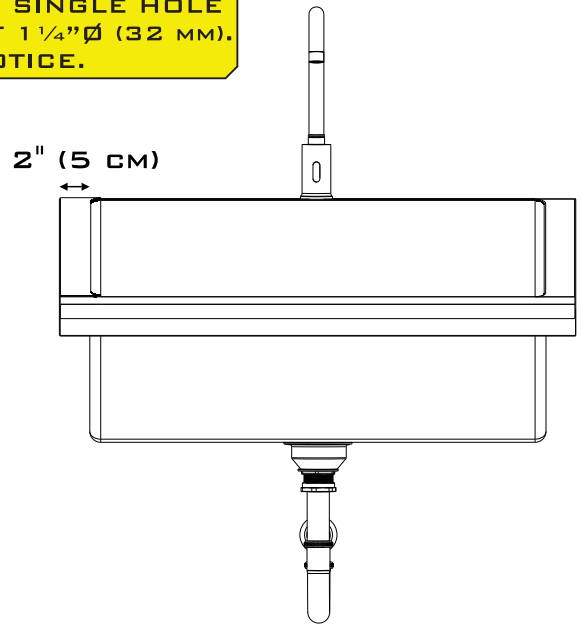
IEWS

SIDE VIEW

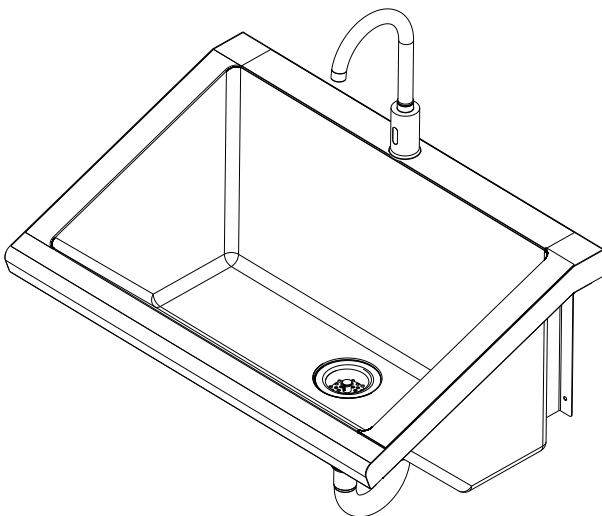


* FAUCET NOT INCLUDED
* FAUCET HOLE IS SINGLE HOLE
PRE- DRILLED AT 1 1/4"Ø (32 MM).
PLEASE TAKE NOTICE.

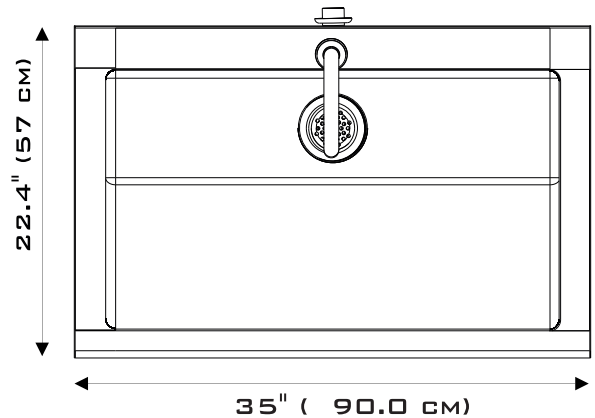
FRONT VIEW



PERSPECTIVE VIEW



TOP VIEW



www.stainlessad.com

4673 Osborne Dr,
El Paso TX, EUA
(915) 330-0093,
(915) 330-0093

STAINLESS AMERICAN DESIGNS, INC.



INCLUDED ACCESORIES

BRACKETS

02 GA 16, SS MOUNTING BRACKETS



WASTE STRAINER

- CONVENIENT URINAL STRAINER
- DRILLED CAP TO AVOID OBSTRUCTION
- BRASS SLIP AND LOCK NUTS



P-TRAP

- BRASS CHROME PLATED P-TRAP, WITH SS STRAINER CONNECTION.



SCREWS AND WALL ANCHORS

- 8, 2" X 3/8" Ø PLASTIC WALL ANCHORS
- 8, 2" X 1/4 " Ø SCREWS



* FAUCET NOT INCLUDED
* FAUCET HOLE IS SINGLE HOLE PRE-DRILLED AT 1 1/4" Ø (32 MM).
PLEASE TAKE NOTICE.

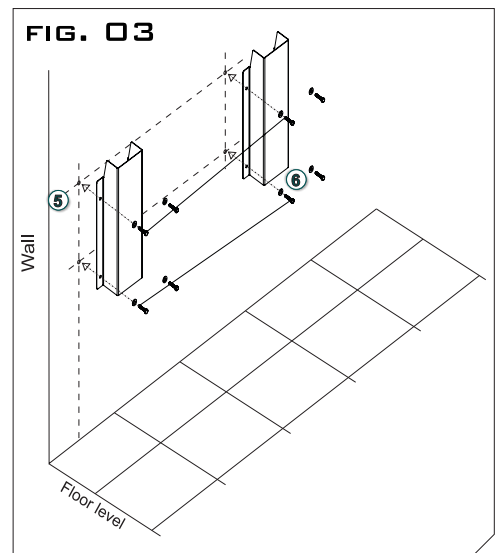
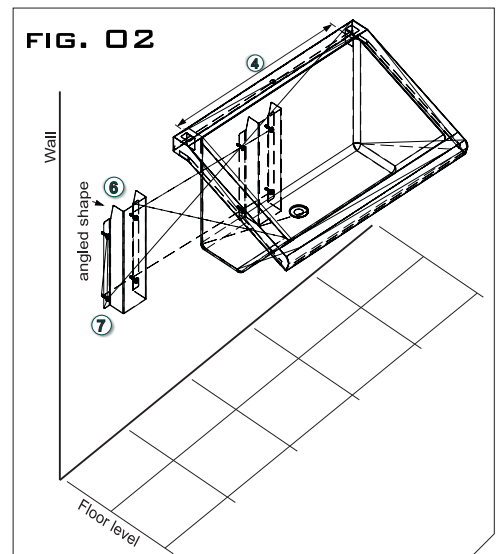
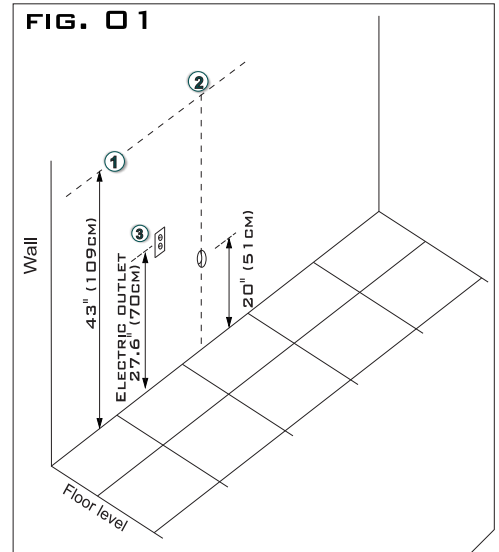
www.stainlessad.com

4673 Osborne Dr,
El Paso TX, EUA
(915) 330-0093,
(915) 330-0093



INSTALLATION GUIDANCE

- 1 IN ORDER TO FIX THE SS SCRUB, PLEASE DRAW A LEVELLED PENCIL LINE AT 43" (109CM) HEIGHT FROM THE FINISHED FLOOR LEVEL.
FIG. 01
- 2 DRAW THE P-TRAP MATCHING CENTER IN THE 43" HEIGHT LINE TO DETERMINE THE SCRUB'S CENTER.
FIG. 01
- 3 IF YOUR FAUCET NEEDS AN ELECTRIC OUTLET, PLEASE INSTALL IT AVOIDING THE DRAINAGE OUTLET, IT IS SUGGESTED TO INSTALL IT BEHIND THE SCRUB AREA.
FIG. 01
- 4 BELOW THE FAUCET SCRUB'S DOCK, THE SCRUB HAS 2 SS BRACKET MOVEMENT RESTRICTOR TABS; MEASURE THE DISTANCE BETWEEN THEM; THEN CONSIDERING THE CENTRE, DRAW THE RESTRICTORS POSITION ON THE WALL AS WELL. THE SS BRACKETS SHOULD GET FIXED TO THE WALL WITHIN THIS DISTANCE.
FIG. 02
- 5 ONCE YOU HAVE DRAWN THE TABS RIGHT POSITION ON THE WALL, HOLD THE SS MOUNTING BRACKETS AGAINST THEM AND DRAW THE FIXATION DRILL HOLES THROUGH THE SS BRACKET'S DRILL. THE ANGLED SHAPED SIDE OF THE SS BRACKETS IS FACING UP, AND VERIFY ITS RIGHT POSITION WITH AN SPIRIT LEVEL, FIG 03.
- 6 DRILL THE PREVIOUS SS BRACKET'S WALL DRAWN HOLES WITH A 3/8" CONCRETE DRILL BIT, AND SET THE WALL ANCHORS IN. FIX THE SS BRACKETS WITH THE SCREWS INTO THE ANCHORS.
- 7 FIX THE SCRUB FAUCET (NOT INCLUDED). AND, IF NECESSARY, PLUG THE FAUCET WIRE INTO THE ELECTRIC OUTLET. SOME IR FAUCETS NEED BATTERIES, SO PLEASE FOLLOW THE FAUCET'S GUIDANCE INSTRUCTIONS. SCRUB'S DOCK IS 2.8" (7CM) WIDE, AND IT IS 1 1/4" Ø FAUCET PRE-DRILLED. ALSO CONSIDER THAT THE AVAILABLE GAP BETWEEN THE WALL AND THE SCRUB IS 2.8" (7CM).
- 8 SINCE MOST FAUCETS NEED DIFFERENT DRILL HOLES AND COUNTER TOP FLAT AREAS TO BE INSTALLED, AS WELL AS PIPING SPACE, PLEASE CONSIDER THESE CHARACTERISTICS TO CHOOSE THE FITTING FAUCET.
PROCEED WITH THE SCRUB MOUNTING.





STAINLESS-AD SURGEON SCRUB SCRUB-1

PLEASE TAKE NOTICE

INSTALLATION INSTRUCTIONS ARE BASED ON A 35.7" (90CM) SCRUB HEIGHT, PLEASE ADJUST THEM ACCORDING TO YOUR WORK HEIGHT PREFERENCES. FIG. 02

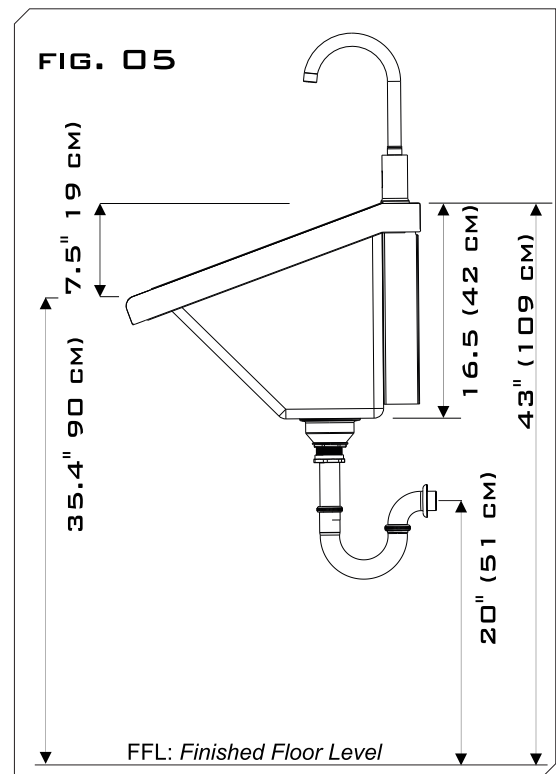
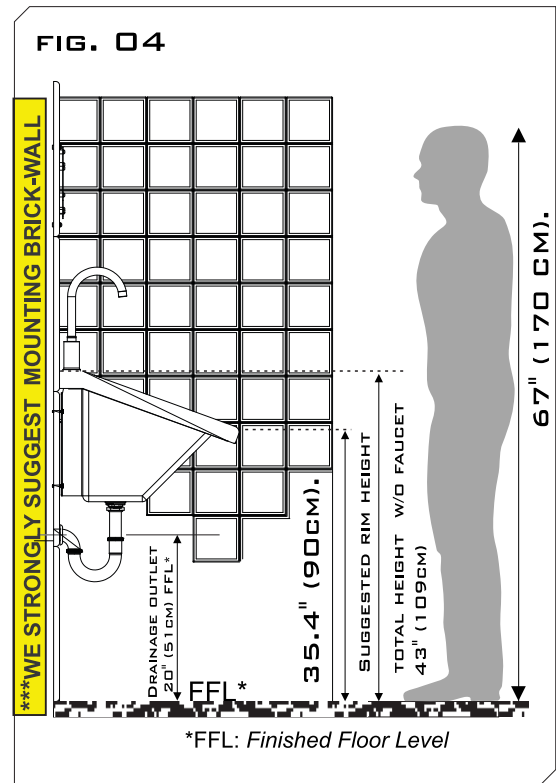
IN THE CASE OF RECENTLY INSTALLED PIPES, DEBRIS ARE POSSIBLE TO GET JAMMED ON FAUCETS OR VALVES, PLEASE CLEAN PROPERLY THE PIPING BEFORE FIRST USAGE BY OPEN THE FAUCETS FOR A COUPLE OF MINUTES.

WE STRONGLY SUGGEST TO NOT INSTALL THIS SINK IN A DRY WALL, ONLY BRICK WALL.

CLEANING AND MAINTENANCE

THE 304 STAINLESS STEEL-FEED GRADE TYPE, NEEDS LESS MAINTENANCE THAN OTHER METALS, AND DOES NOT PRODUCE STAINS BY IT SELF OR BY THE SOLE WATER EXPOSURE, ALTHOUGH REGULAR CLEANING WILL PREVENT IT TO GET STAINED BY THE DIFFERENT CORROSIVE AGENTS, SUCH AS CHLORINE, SALT AND MINERALS DEPOSITS LEFT BY EVAPORATED WATER, ETC. THE FOLLOWING ARE INSTRUCTIONS IN ORDER TO KEEP YOUR STAINLESS STEEL SCRUB APPEARANCE AND FUNCTIONS PRESERVED.

1. ONLY USE WATER AND PLASTIC SCOURER TO CLEAN THE STAINLESS STEEL SURFACE, IF NEEDED, USE DISH SOAP, AND RINSE ANY RESIDUE.
2. DO NOT USE CHLORINE OR ANY PRODUCT WHICH INCLUDES IT, SINCE IT IS CORROSIVE TO METALS AND CAN DAMAGE THE STAINLESS STEEL SURFACE APPEARANCE AND EVEN THE STRUCTURE. IF CHLORINE USE IS UNAVOIDABLE; PLEASE RINSE IT COMPLETELY, AND CLEAN ALSO THE EXTERNAL SCRUB SURFACE. CHLORINE DROPS CAN STAIN OR EVEN CORRODE STAINLESS STEEL. AVOID CHLORINE TO LEAK IN THE SCRUBS BACK BY SEALING IT IN THE COUNTERTOP. A COMMON SITUATION IS TO SPLASH CHLORINE FROM THE FLOOR WHILE MOPPING, SO BE AWARE OF CLEANING ALL CHLORINE, IF MOPPING WITH IT.
3. DO NOT USE SHARPENED OBJECTS TO CLEAN THE STAINLESS STEEL SURFACE, SINCE THIS WILL BRING ABOUT SCRATCHES.
4. DESPITE STAINLESS STEEL NEEDS LESS MAINTENANCE THAN OTHER METALS, IF YOU CLEAN UP AND DRY IT COMPLETELY ONCE ON A DAILY BASIS, OR AT LEAST TWICE A WEEK; THE STAINLESS STEEL APPEARANCE WILL LAST FOR LONGER TIME.



www.stainlessad.com

4673 Osborne Dr,
El Paso TX, EUA
(915) 330-0093,
(915) 330-0093