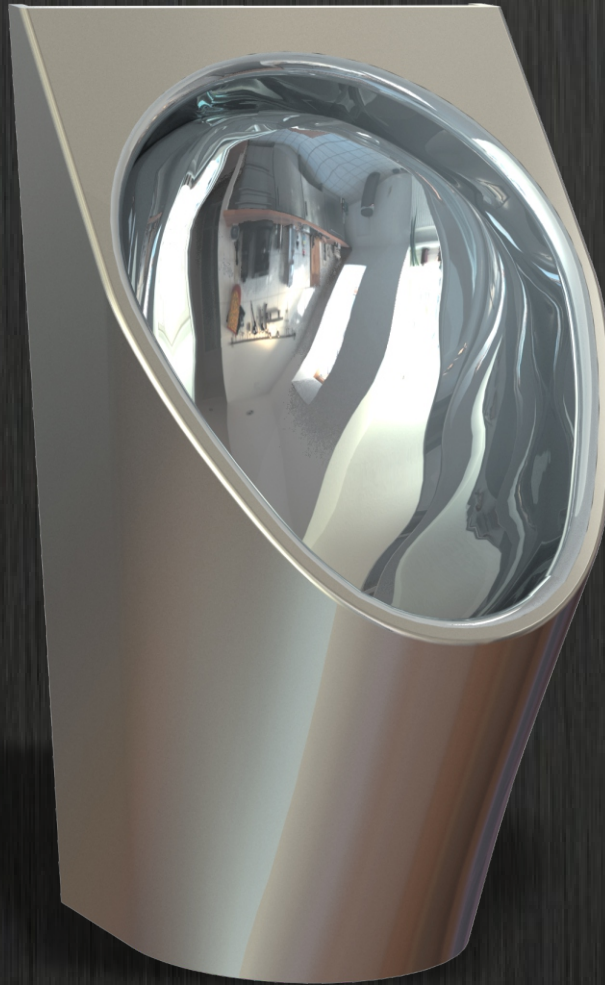




STAINLESS-AD

WATERLESS URINAL

WLU 2



#### Characteristics

Model	WLU2
Material	Stainless Steel
Type	304
Gauge	18 (1.2mm)
Int. Finish	Mirror
Ext Finish	Satin finish

#### Measures

Length:	14.2" ( 36.0 cm)
Width	14.6" ( 37 cm)
Height	25.6" ( 65.0 cm)

#### Mounting System

- 02 Built in Backup key holes.
- 02 Built in Bottom screw holes.
- 04 2" x 3/8" Ø Wall Anchors.
- 04 2" x 1/4" Ø Screws.

#### Features

- Seamless welded
- Vandal resistant
- To be used in schools, restaurants, stadiums, etc.

[www.stainlessad.com](http://www.stainlessad.com)

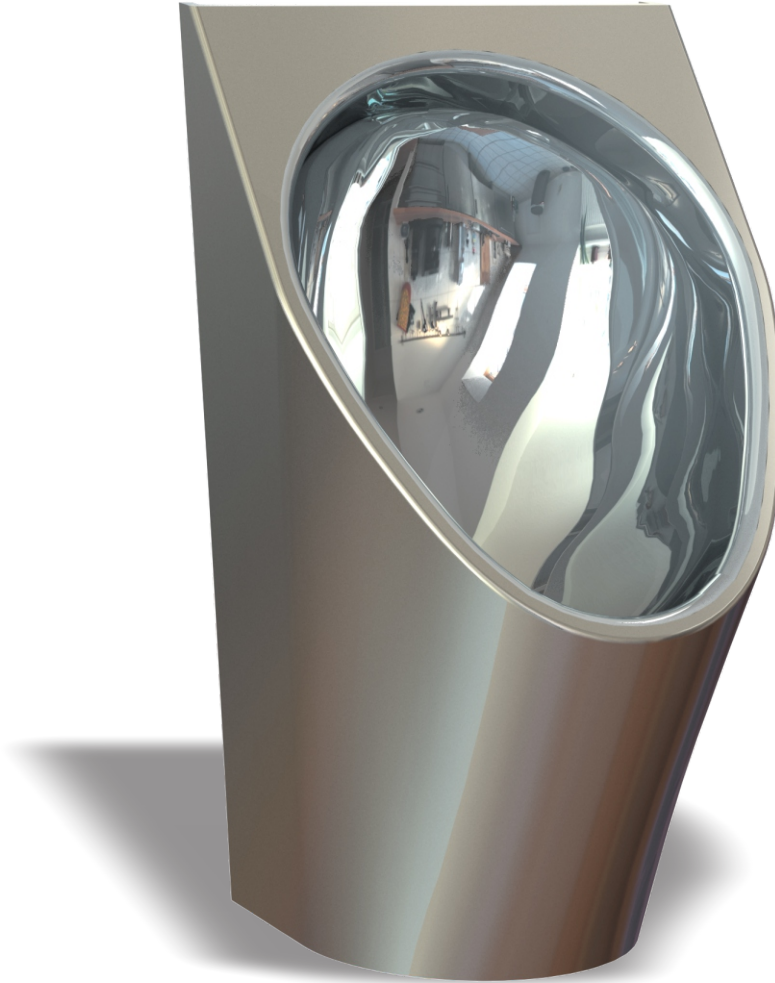
4673 Osborne Dr,  
El Paso TX, EUA  
(915) 330-0092,  
(915) 330-0093



STAINLESS-AD

WATERLESS URINAL

WLU 2



#### Characteristics

Model WLU2  
Material Stainless Steel  
Type 304  
Gauge 18 (1.2mm)  
Int. Finish Mirror  
ext Finish Satin finish

#### Measures

Length: 14.2" ( 36.0 cm)  
Width 14.6" ( 37 cm)  
Height 25.6" ( 65.0 cm)

#### Mounting System

02 Built in Backup key holes.  
02 Built in Bottom screw holes.  
04 2" x 3/8" Ø Wall Anchors.  
04 2" x 1/4" Ø Screws.

#### Features

-Seamless welded  
-Vandal resistant  
-To be used in schools,  
restaurants, stadiums, etc.

[www.stainlessad.com](http://www.stainlessad.com)

4673 Osborne Dr,  
El Paso TX, EUA  
(915) 330-0093,  
(915) 330-0093

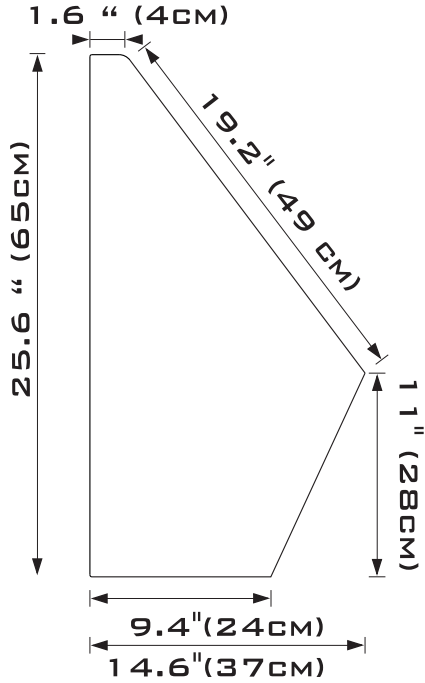


STAINLESS-AD

WATERLESS URINAL

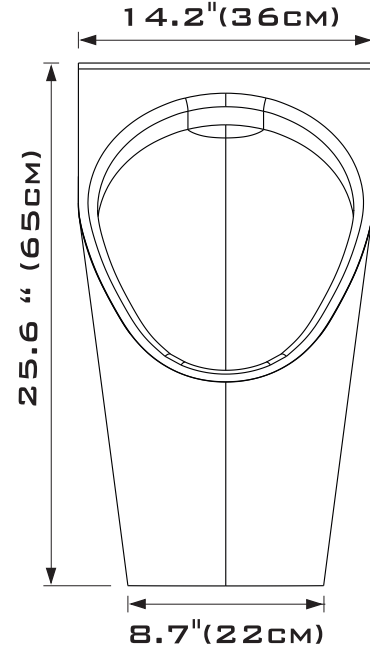
WLU 2

SIDE VIEW

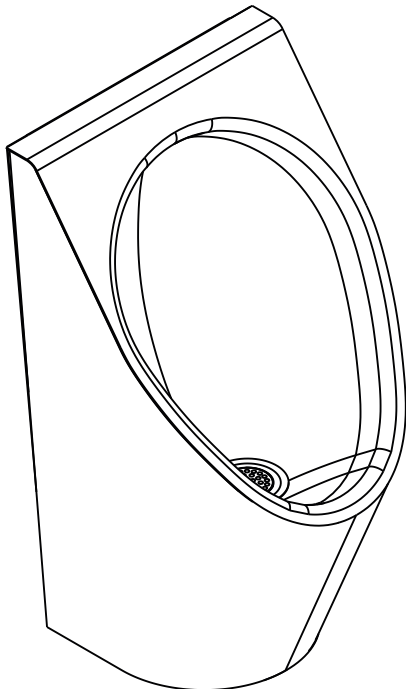


VIEWS

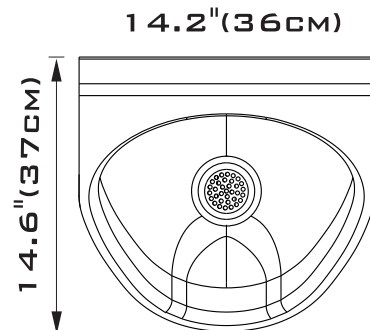
FRONT VIEW



PERSPECTIVE



TOP VIEW



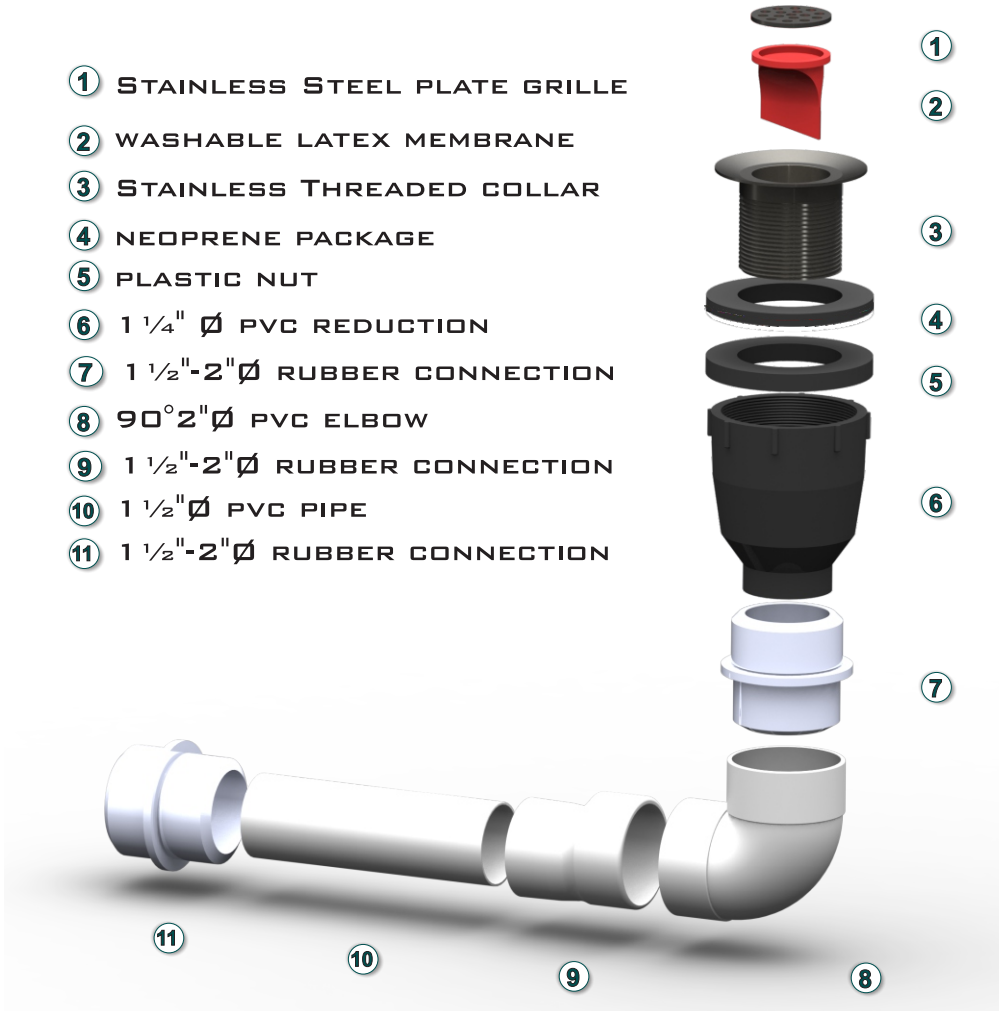
[www.stainlessad.com](http://www.stainlessad.com)

4673 Osborne Dr,  
El Paso TX, EUA  
(915) 330-0093,  
(915) 330-0093



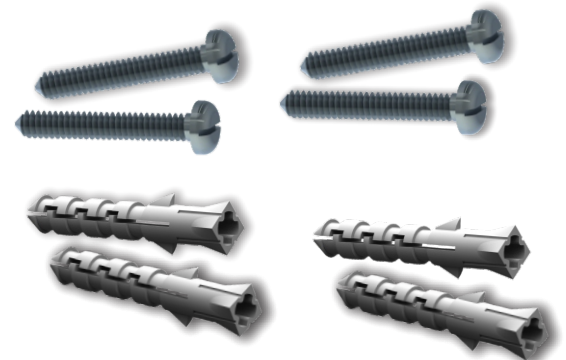
## INCLUDED ACCESORIES

- ① STAINLESS STEEL PLATE GRILLE
- ② WASHABLE LATEX MEMBRANE
- ③ STAINLESS THREADED COLLAR
- ④ NEOPRENE PACKAGE
- ⑤ PLASTIC NUT
- ⑥ 1 1/4" Ø PVC REDUCTION
- ⑦ 1 1/2"-2" Ø RUBBER CONNECTION
- ⑧ 90° 2" Ø PVC ELBOW
- ⑨ 1 1/2"-2" Ø RUBBER CONNECTION
- ⑩ 1 1/2" Ø PVC PIPE
- ⑪ 1 1/2"-2" Ø RUBBER CONNECTION



### SCREWS AND PLASTIC ANCHORS

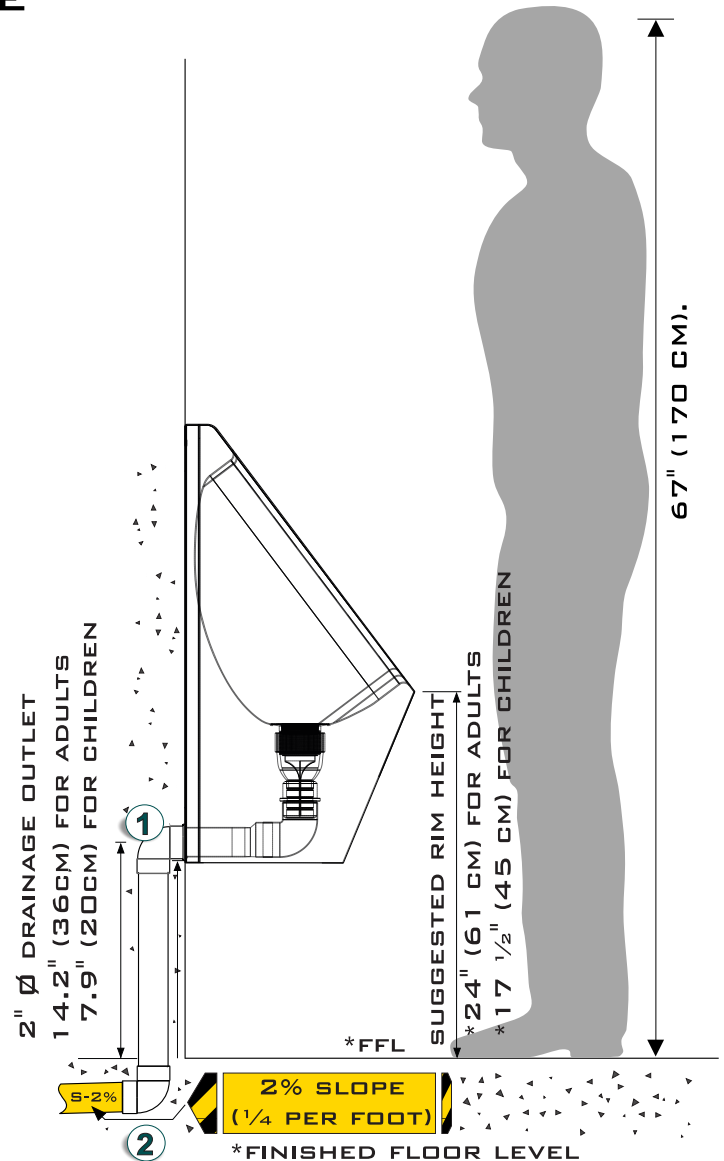
- 4, 2" x 3/8" Ø PLASTIC WALL ANCHORS
- 4, 2" x 1/4 " Ø SCREWS



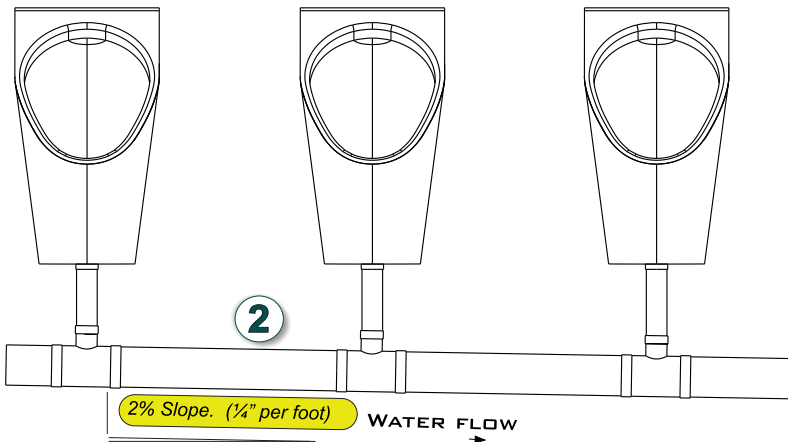


## INSTALLATION GUIDANCE

- ① PREPARE A PVC\* 2" Ø DRAINAGE OUTLET AT 14.2" (36CM) FOR ADULTS, AND 7.9" (20CM) FOR CHILDREN; CENTER HEIGHT FROM THE FINISHED FLOOR LEVEL (FFL). UNDER CLOGGING RISK, DO NOT INSTALL WATERLESS URINAL IN COPPER DRAINAGE PIPE LINES:
- ② ACCORDING TO THE INTERNATIONAL PLUMBING CODE (IPC 2012), WATERLESS URINALS MUST HAVE A 2% SLOPE. (6MM PER FOOT) THIS SLOPE PERCENTAGE IS ESSENTIAL TO AVOID CLOGGING.
- ③ IF POSSIBLE, DESIGN THE PLUMBING SYSTEM SO THAT THE URINALS ARE THE LAST FIXTURE IN THE LINE BEFORE IT IS ROUTED AWAY FROM THE BUILDING.
- ④ SMOOTHER SURFACE OF THE PVC WILL DETER BUILDUP.
- ⑤ FIT THE URINAL'S TRAP PIPE INTO THE WALL'S 2" Ø DRAINAGE OUTLET.
- ⑥ WHILE THE URINAL'S TRAP PIPE IS INSIDE THE DRAINAGE OUTLET, USING AN SPIRIT LEVEL IN VERTICAL POSITION; HOLD THE URINAL AGAINST THE WALL IN THE FINAL POSITION AND DRAW WITH A PENCIL THROUGH THE HANG DRILL HOLES ON THE URINAL'S BASE. DRAW THE TOP BACK URINAL'S FACING WALL SUPPORT AS WELL.
- ⑦ MEASURE THE DISTANCE BETWEEN THE UPPER KEY HANGING HOLES DRAW THE CONCRETE DRILL BIT TO FIX THE WALL ANCHOR.
- ⑧ ONCE MARKED THE WALL HOLES TO DRILL, AND CONFIRMED THE P-TRAP FITS INTO THE WALL DRAINAGE, DRILL THE MARKED HOLES IN THE WALL WITH A 3/8" Ø CONCRETE DRILL BIT, SET THE WALL ANCHORS, AND FINALLY, FIX THE URINAL WITH THE PROVIDED SCREWS.

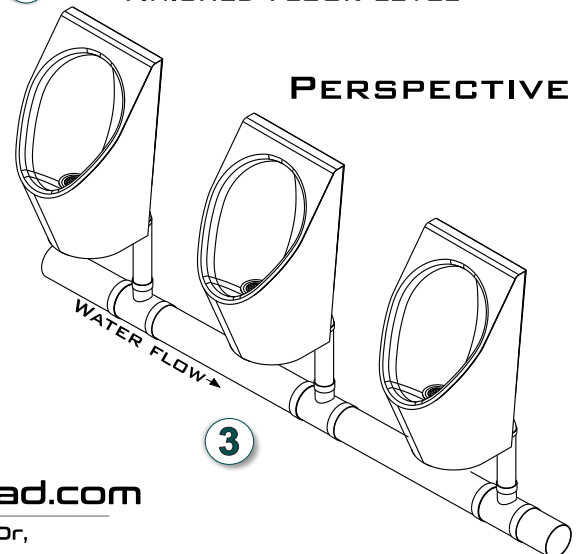


### FRONT VIEW



IF POSSIBLE, DESIGN THE PLUMBING SYSTEM SO THAT THE URINALS ARE THE LAST FIXTURE IN THE LINE BEFORE IT IS ROUTED AWAY FROM THE BUILDING.

### PERSPECTIVE



## CLEANING AND MAINTENANCE

---

### URINAL

THE 304 STAINLESS USED TO FABRICATE THE WATERLESS URINAL IS STEEL-FEED GRADE TYPE, AND NEEDS LESS MAINTENANCE THAN OTHER METALS, ALTHOUGH REGULAR CLEANING WILL PREVENT IT TO FORMING TARTAR, AS WELL AS SALT AND MINERALS DEPOSITS LEFT BY WATER OR EVEN HARD WATER. THE FOLLOWING ARE INSTRUCTIONS IN ORDER TO KEEP THE URINAL APPEARANCE AND FUNCTIONS PRESERVED.

1. ONLY USE WATER AND PLASTIC SCOURER TO CLEAN THE STAINLESS STEEL SURFACE, IF NEEDED, USE DISH SOAP, AND RINSE ANY RESIDUE.
2. DO NOT USE CHLORINE OR ANY PRODUCT WHICH INCLUDES IT, SINCE IT IS CORROSIVE TO METALS AND CAN DAMAGE THE STAINLESS STEEL SURFACE APPEARANCE AND EVEN IN AN STRUCTURAL WAY.
3. DO NOT USE SHARPENED OBJECTS TO CLEAN THE STAINLESS STEEL SURFACE, SINCE THIS WILL BRING ABOUT SCRATCHES.
4. DO NOT POUR OTHER LIQUIDS THAN URINE OR WATER INTO THE URINAL, SUCH AS COFFE, PAINT, OIL, ETC; BY DOING SO THE STAINLESS STEEL'S APPEARANCE MIGHT BE DAMAGED IN RESULT IF IT IS NOT PROPERLY WASHED, AND MAY DECREASE THE P-TRAP'S LIFE SERVICE.
5. IT IS STRONGLY RECOMENDED TO POOR A WATER GALLON ON THE URINAL ON A DAILY BASIS TO HELP PREVENT PIPE CLOGGING, BEFORE THIS; CLEAN THE URINAL SURFACE WITH WATER AND SOAP DISH TO AVOID BAD ODORS.

### LATEX MEMBRANE

LATEX MEMBRANE IS A "ONE WAY VALVE" WITH SELF-CLEANING PROPERTIES, AS THE URINE WETS IT, IT IS JUST NEEDED AN SMALL PREASURE DIFFERENCE TO LET THE LIQUID PASS, WHILE KEEPS THE SEWAGE ODORS FROM GET INTO THE ROOM.

ACCORDING TO USE, IT NEEDS TO BE WASHED ONCE A MONTH, AND CHANGED ONCE A YEAR.

INCREASE ITS LIFE TIME BY CONSIDERING THE FOLLOWING RECOMENDATIONS:

1. AVOID THE USAGE OF SOLVENTS, ACIDS, DEODORIZING TABLETS; SINCE LATEX IS SENSITIVE TO THEM.
2. ONLY USE WATER AND DISH SOAP TO CLEAN IT; AND IF NECESSARY USE VINEGAR/OR HOT WATER TO PREVENT BUILDUP, MINERAL DEPOSITS AND SCALING.

### PIPES

WATERLESS URINAL PIPES ARE EXPOSED TO CLOGGING BECAUSE OF BUILD-UP, TARTAR, SALT-CALCIUM-AND MINERAL DEPOSITS, BECAUSE NOT ADEQUATE PLUMBING DESIGNS, OR NO MAINTENANCE, HENCE; TO PRESERVE PIPES CONDITION FROM BUILD-UP CONSIDER TO FOLLOW THESE RECOMENDATIONS:

1. DRAINAGE PIPES MUST HAVE A 2% SLOPE.
2. DRAINAGE PIPES MUST BE PVC MADE OF. COOPER, MILD STEEL OR IRON CAST PIPES WILL CAUSE BUILD-UP, AND EVENTUALLY CLOGGING.
3. PREFER 45° TO 90° ELBOWS IN THE DRAINAGE FITS.
4. ONCE A DAY POUR A WATER GALLON IN THE URINAL, IT HELPS PREVENT CLOGGING PIPES, SINCE URINE CAN FORM CALCIUM DEPOSITS (TARTAR), AND BY DOING SO THE P-TRAP'S LIFE SERVICE WILL EXTEND.