



STAINLESS-AD

UNDER SHELF WORK TABLE TAB-PLN-2



characteristics

| | |
|----------|-------------|
| material | s. steel |
| type | 304 |
| gauge | 18 (1.2 mm) |
| finish | p3 |

assembly

ready to assemble with
legs and shelf

measures

| | |
|--------|-------------------|
| length | 60.0" (152.5 cm) |
| width | 27.6" (70.0 cm) |
| height | 35.4" (90.0 cm) |

features

.seamless welded

www.stainlessad.com

4673 Osborne Dr,
El Paso TX, EUA
(915) 330-0092,
(915) 330-0093

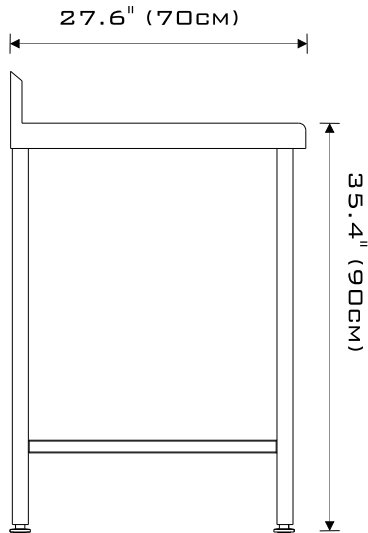


STAINLESS-AD

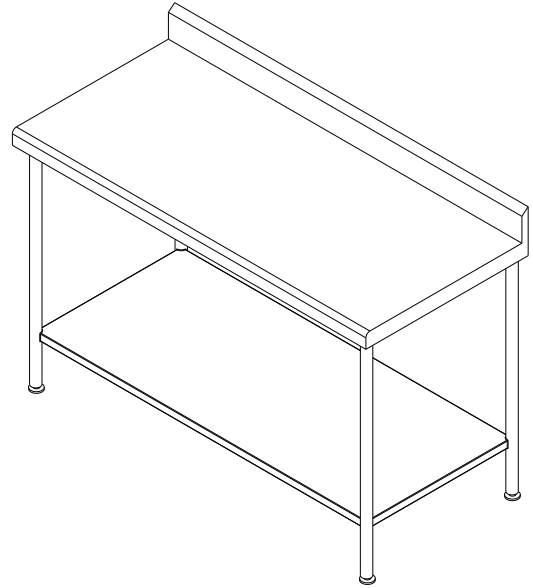
UNDER SHELF WORK TABLE TAB-PLN-2

VIEWS

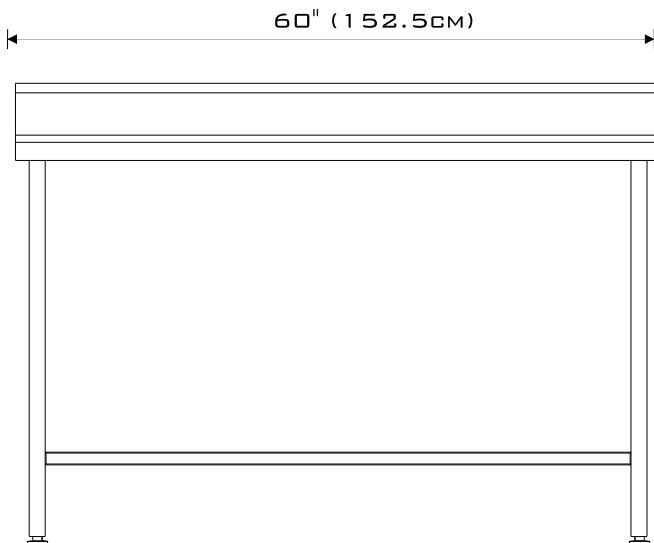
SIDE VIEW



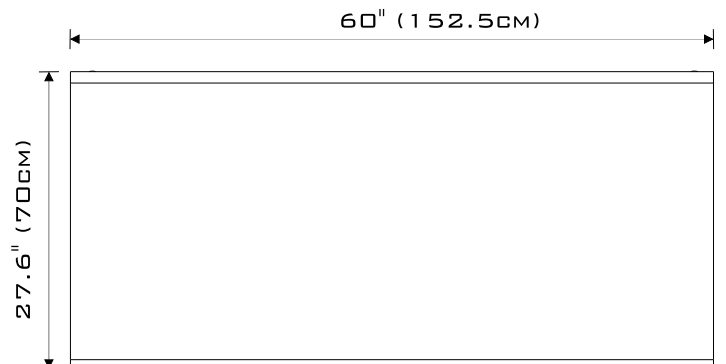
PERSPECTIVE



FRONT VIEW



TOP VIEW



STAINLESS AMERICAN DESIGNS, INC.

www.stainlessad.com

4673 Osborne Dr,
El Paso TX, EUA
(915) 330-0093,
(915) 330-0093