



STAINLESS-AD

WORK TABLE TAB-SNK-1-R



characteristics

material s. steel
type 304
gauge 18 (1.2 mm)
finish sink p3
finish bowl 2b

assembly

ready to assemble with
legs and shelf

measures

right sink
length 60.0" (152.5 cm)
width 27.6" (70.0 cm)
height 35.4" (90.0 cm)

features

.seamless welded
.vandal resistant

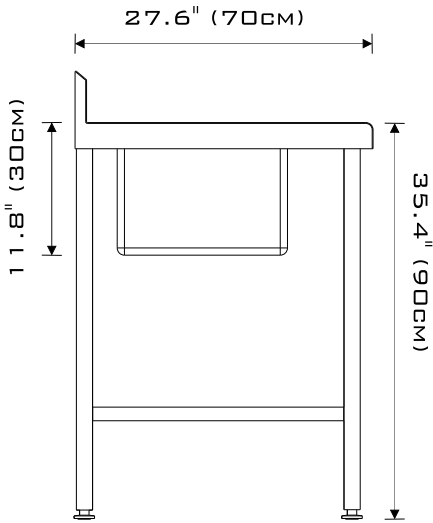
www.stainlessad.com

4673 Osborne Dr,
El Paso TX, EUA
(915) 330-0092,
(915) 330-0093

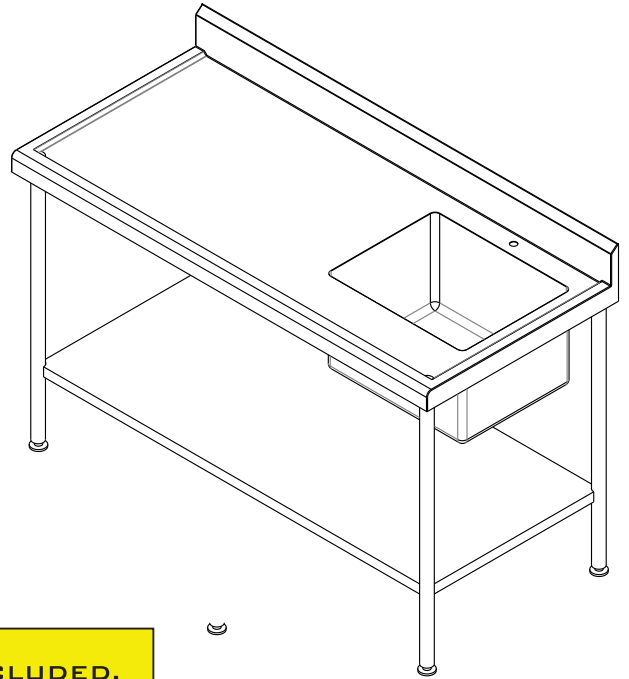


VIEWS

SIDE VIEW

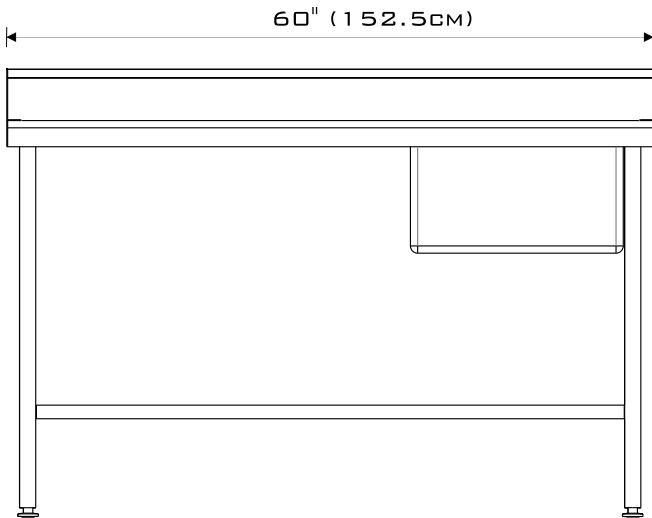


PERSPECTIVE



- * INCLUDES STRAINER
- * FAUCET, P-TRAP NOT INCLUDED.
- * FAUCET HOLE IS 1"Ø (2.5 CM)
- PRE-DRILLED.
- * PLEASE TAKE NOTICE.

FRONT VIEW



TOP VIEW

